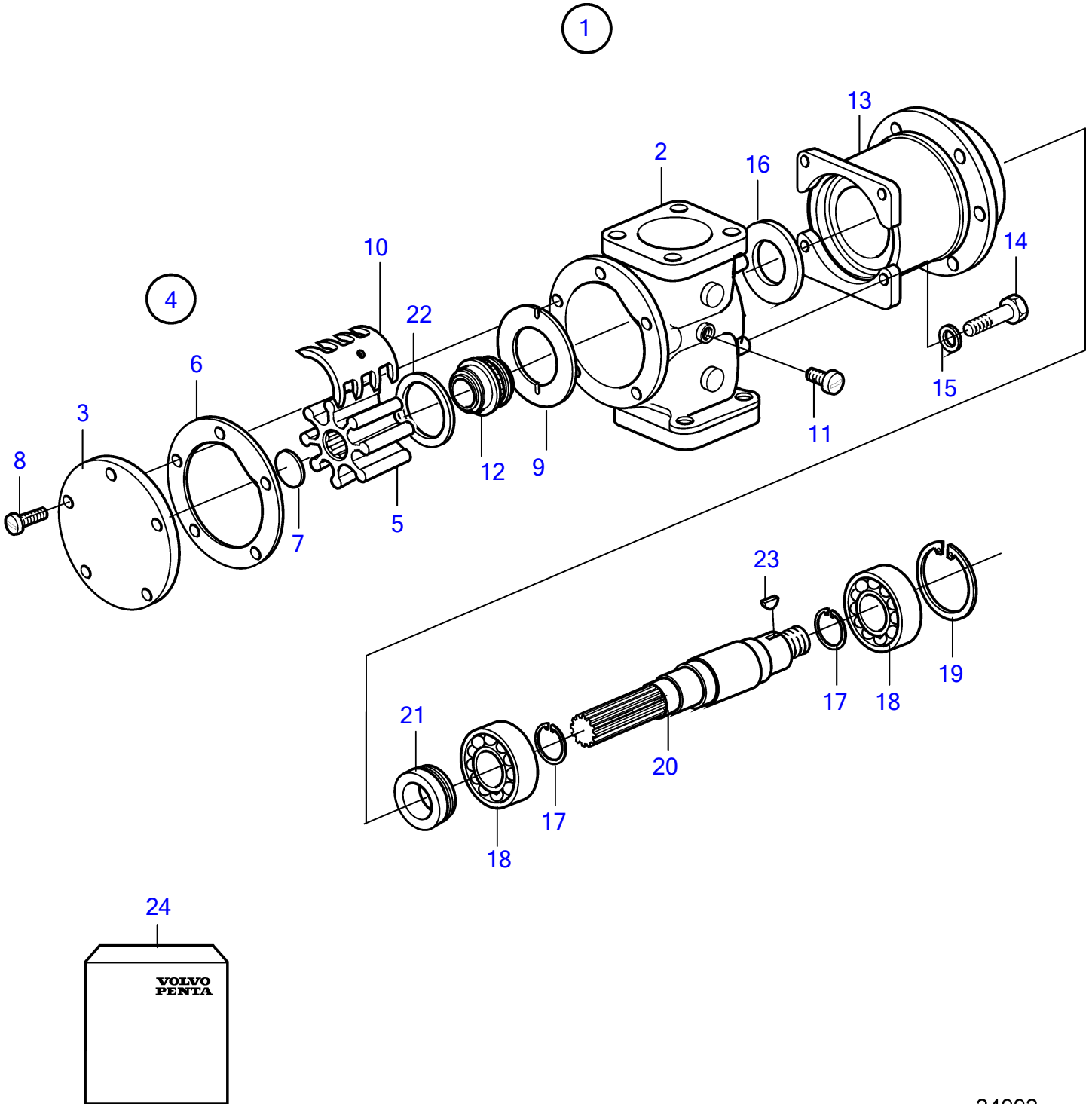


TMD122A



24992

TMD122A

REF	PART NO.	QTY	DESCRIPTION	NOTES
1	3829311	1	Sea water pump	(846354)
2			• Pump housing	
3	847228	1	• Cover	
4	875736	1	• Impeller kit	
5		1	• • Impeller	
6	3829314	1	• • Gasket	
7	812966	1	• • Spline seal	
8	959931	5	• Hexagon screw	
9	826230	1	• Wear washer	(812959)
10	827013	1	• Cam	
11	825730	1	• Screw	
12	3829315	1	• Sealing ring	(812968)
13	845969	1	• Bearing housing	
14	940135	4	• Hexagon screw	
15	941907	4	• Spring washer	
16	812964	1	• Deflector ring	
17	847230	2	• Lock ring	
18	11013	2	• Ball bearing	
19	825735	1	• Lock ring	
20	3838208	1	• Shaft	
21	845795	1	• Sealing ring	
22	3829449	1	• Washer	
23	942406	1	• Woodruff key	
24	875737	1	Overhaul kit	