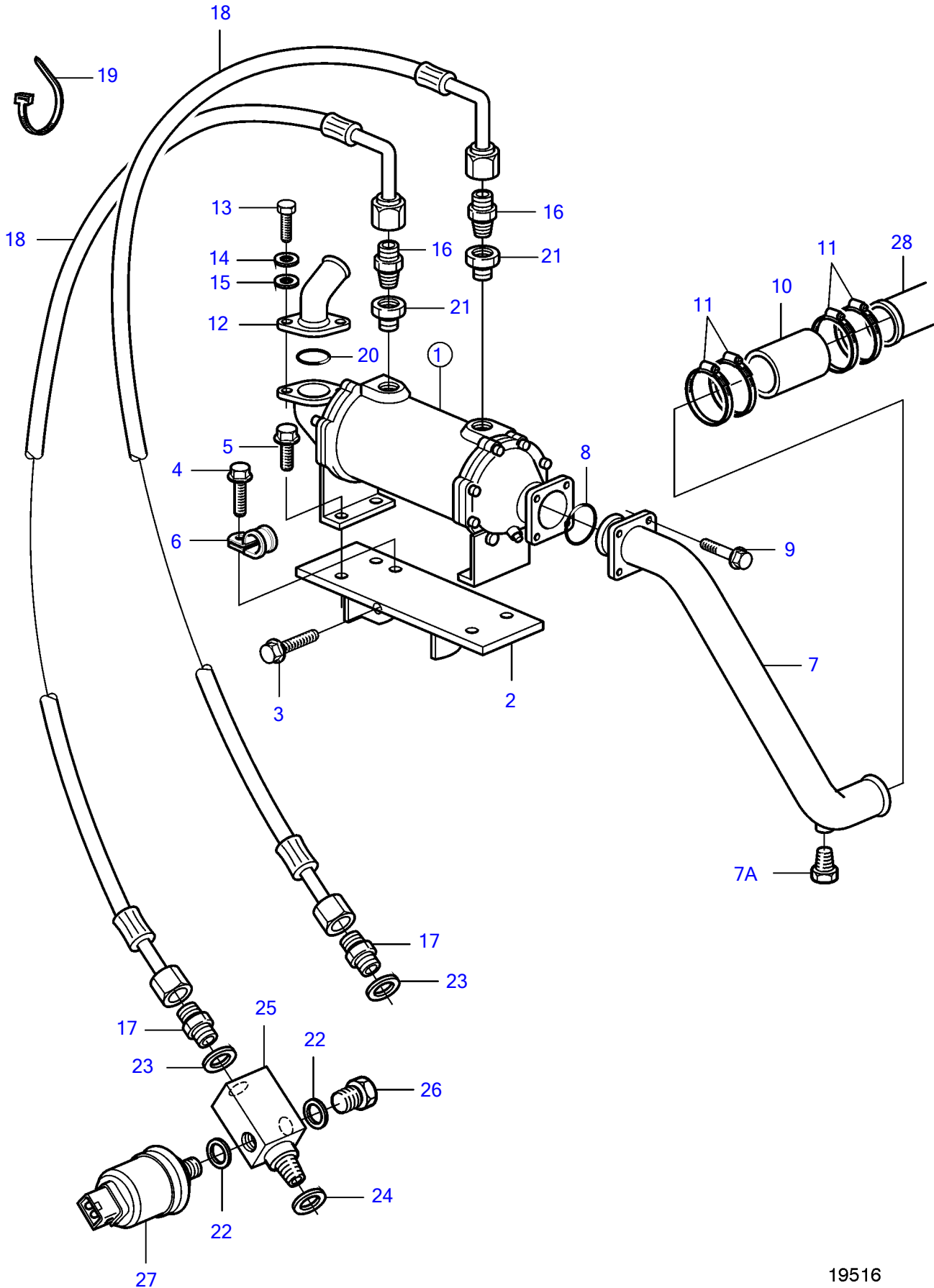


TAMD122A, TAMD122P-A, TAMD122P-B, TAMD122P-C



TAMD122A, TAMD122P-A, TAMD122P-B, TAMD122P-C

| REF | PART NO. | QTY | DESCRIPTION | SEE SEC. | NOTES |
|-----|-----------|-----|----------------------|----------|---------------|
| 1 | | 1 | Oil cooler | | |
| | | | . | 1369 | |
| 2 | (3826275) | 1 | Bracket | | Obsolete part |
| 3 | 946752 | 2 | Flange screw | | |
| 4 | 946441 | 1 | Flange screw | | |
| 5 | 946173 | 4 | Flange screw | | |
| 6 | 949747 | 1 | Clamp, cable-sender | | |
| 7 | 863817 | 1 | Tube | | |
| 7A | 861551 | 1 | Plug | | |
| 8 | 843584 | 1 | Gasket | | |
| 9 | 946173 | 4 | Flange screw | | |
| 10 | 952980 | X | Hose | | L=110mm |
| 11 | 961672 | 4 | Hose clamp | | |
| 12 | 863838 | 1 | Tube | | |
| 13 | 940135 | 2 | Hexagon screw | | |
| 14 | 941907 | 2 | Spring washer | | |
| 15 | 191172 | 2 | Washer | | |
| 16 | 981303 | 2 | Nipple | | |
| 17 | 941751 | 1 | Nipple | | |
| 18 | 3826966 | 2 | Hose | | |
| 19 | 948211 | 3 | Cable tie | | |
| 20 | 925092 | 1 | O-ring | | |
| 21 | 949707 | 2 | Reduction nipple | | |
| 22 | 976932 | 2 | Gasket | | |
| 23 | 976931 | 2 | Gasket | | |
| 24 | 976930 | 1 | Gasket | | |
| 25 | 3826965 | 1 | X-nipple | | |
| 26 | 960632 | 1 | Plug | | |
| 27 | 866839 | 1 | Sensor | | See group 30 |
| 28 | | 1 | Pipe, heat exchanger | | |