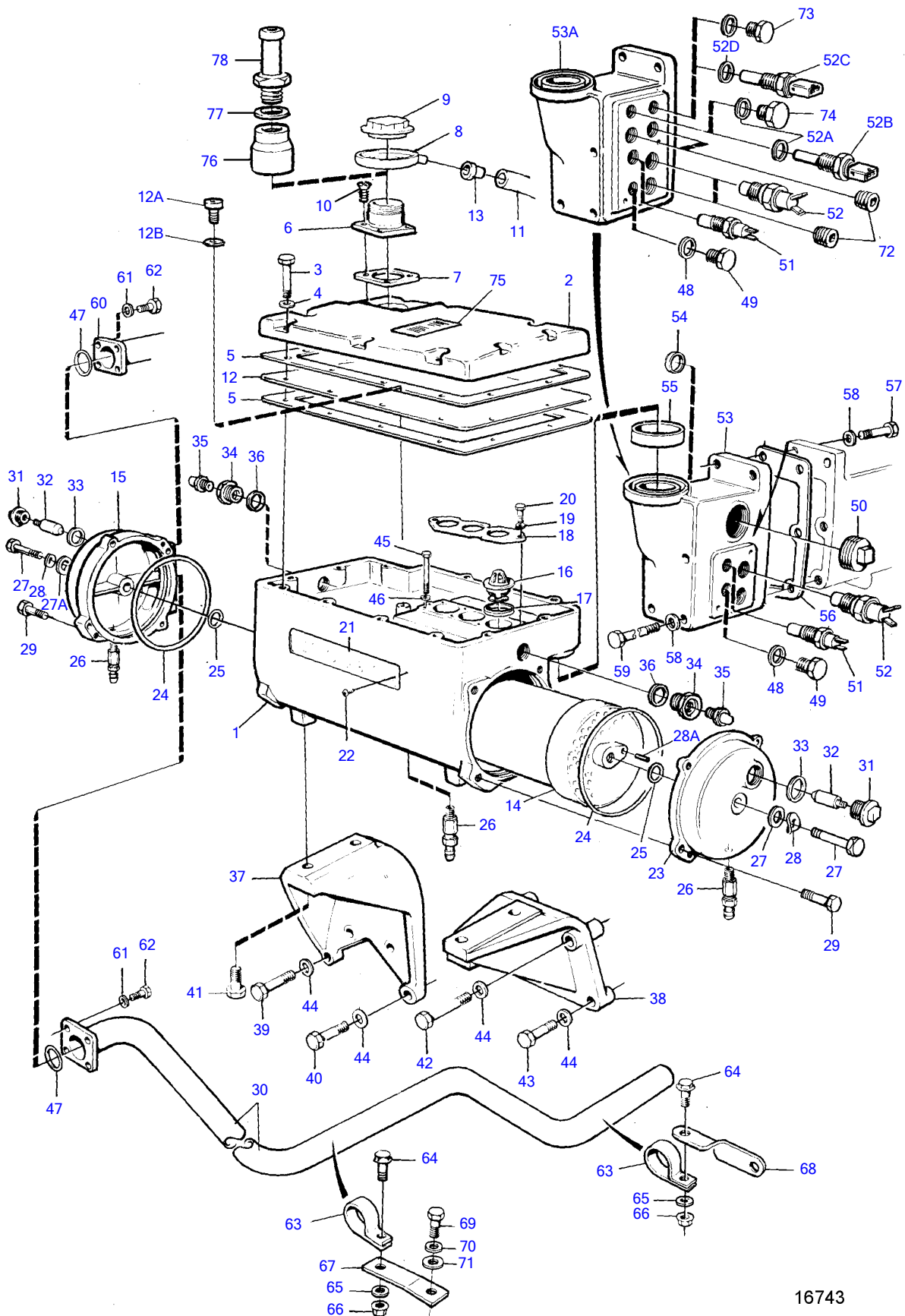


TAMD122P-A, TAMD122P-B, TAMD122P-C



16743

TAMD122P-A, TAMD122P-B, TAMD122P-C

| REF | PART NO. | QTY | DESCRIPTION | SEE SEC. | NOTES |
|-----|-----------|-----|----------------------|----------|---|
| 1 | 866655 | 1 | Housing | | |
| 2 | 864182 | 1 | Cover | | Repl by 3825724 |
| | 3825724 | 1 | Cardboard tube | 2174 | |
| 3 | 955536 | 5 | Hexagon screw | | L=45mm |
| | 940162 | 5 | Hexagon screw | | L=38mm |
| 4 | 942336 | 10 | Spring washer | | |
| 5 | 3827400 | 2 | Gasket | | |
| 6 | 3825064 | 1 | Filler neck | | |
| 7 | 842137 | 1 | Gasket | | |
| 8 | 11033334 | 1 | Collar | | Earlier prod (1196982) Repl by 3828863 (11110005) |
| | 3828863 | 1 | Rubber collar | | |
| 9 | 1674083 | 1 | Pressure cap | | |
| 10 | 950158 | 4 | Cross recessed sunk | | |
| 11 | 192618 | X | Hose | | L=1000mm |
| 12 | 866735 | 1 | Plate | | |
| 12A | 959457 | 1 | Hex. socket screw | | L=114mm |
| 12B | 942551 | 1 | Washer | | |
| 13 | (1246524) | 1 | Nipple | | For 1103334, Obsolete part (3825960) |
| 14 | 3827495 | 1 | Heat exchanger eleme | | |
| 15 | 866710 | 1 | End plate | | |
| 16 | 3831424 | 3 | Thermostat kit | | |
| 17 | 416033 | 3 | • Sealing ring | | |
| 18 | 822628 | 1 | Thermostat retainer | | |
| 19 | 941670 | 4 | Washer | | |
| 20 | 942342 | 4 | Hexagon screw | | |
| 21 | 820232 | 1 | Sign | | Early type |
| 22 | 950210 | 3 | Cross recessed screw | | Early type |
| | (3826388) | 1 | Decal | | Volvo Penta High Performance, Late type, Obsolete part |
| 23 | 849032 | 1 | Cardboard tube | | |
| 24 | 925278 | 3 | O-ring | | |
| | 925276 | 1 | O-ring | | |
| 25 | 955977 | 2 | O-ring | | |
| 26 | 949918 | 3 | Shut-off cock | | |
| 27 | 955598 | 2 | Hexagon screw | | |
| 27A | 955900 | 2 | Washer | | |
| 28 | 941912 | 2 | Spring washer | | |
| 28A | 950529 | 2 | Pin | | |
| 29 | 955539 | 4 | Hexagon screw | | |
| 30 | 866753 | 1 | Coolant pipe | | Heat exchanger-oil cooler, reverse gear. |
| 31 | 823662 | 2 | Plug | | |
| 32 | 823661 | 2 | Zinc anode | | |
| 33 | 836169 | 2 | Gasket | | |
| 34 | 3825610 | 2 | Nipple | | |
| 35 | 3825542 | 2 | Level sight glass | | |
| 36 | 836169 | 2 | Gasket | | |
| 37 | (823036) | 1 | Bracket | | Obsolete part |
| 38 | 820730 | 1 | Bracket | | |
| 39 | 955541 | 3 | Hexagon screw | | |
| 40 | 955535 | 1 | Hexagon screw | | |
| 41 | 940162 | 4 | Hexagon screw | | |
| 42 | 940156 | 2 | Hexagon screw | | |
| 43 | 955539 | 2 | Hexagon screw | | |
| 44 | 942336 | 12 | Spring washer | | |
| 45 | 959979 | 6 | Hexagon screw | | |
| 46 | 942551 | 6 | Washer | | |
| 47 | 843584 | 2 | Gasket | | |
| 48 | 11996 | X | Gasket | | |
| 49 | 180761 | X | Plug | | |
| 50 | 190998 | X | Plug | | |
| 51 | | | Ect sensor | | TAMD122P-A, See group 30 |
| 52 | | | Temperature contact | | TAMD122P-A, See group 30 |
| 52A | 11998 | 1 | Gasket | | |

TAMD122P-A, TAMD122P-B, TAMD122P-C

| REF | PART NO. | QTY | DESCRIPTION | SEE SEC. | NOTES |
|-----|----------|-----|------------------------|----------|------------------------------|
| 52B | | 1 | Ect sensor, instrument | | TAMD122P-B, See group 30 |
| 52C | | 1 | Ect sensor, EDC-unit | | TAMD122P-B, See group 30 |
| 52D | 11996 | 1 | Gasket | | |
| 53 | 876855 | 1 | End cover | | SN-1101053069/XXXXXX |
| 53A | 3826203 | 1 | End cover | | SN1101053070/XXXXXX- |
| 54 | 822575 | 1 | Sealing ring | | |
| 55 | 836746 | 1 | Sealing ring | | |
| 56 | 3827398 | 1 | Gasket | | |
| 57 | 955535 | 2 | Hexagon screw | | |
| 58 | 942336 | 6 | Spring washer | | |
| 59 | 942338 | 4 | Hexagon screw | | |
| 60 | 866756 | 1 | Tube | | Heat exchanger-after cooler. |
| 61 | 941907 | 8 | Spring washer | | |
| 62 | 956569 | 8 | Hex. socket screw | | |
| 63 | 32447 | 2 | Clamp | | |
| 64 | 955535 | 2 | Hexagon screw | | |
| 65 | 942336 | 2 | Spring washer | | |
| 66 | 955827 | 2 | Hexagon nut | | |
| 67 | 965535 | 1 | Bracket | | (847351) |
| 68 | (847350) | 1 | Bracket | | Obsolete part |
| 69 | 940100 | 1 | Hexagon screw | | |
| 70 | 941906 | 1 | Spring washer | | |
| 71 | 955893 | 1 | Washer | | |
| 72 | 479977 | X | Plug | | |
| 73 | 960631 | 1 | Plug | | TAMD122P-A |
| 74 | 960632 | 1 | Plug | | TAMD122P-A |
| 75 | 3825346 | 1 | Decal | | Warning text. |
| 76 | 3826167 | 1 | Adapter | | For expansion tank. |
| 77 | 836169 | 1 | Gasket | | For expansion tank. |
| 78 | 943268 | 1 | Hose nipple | | For expansion tank. |