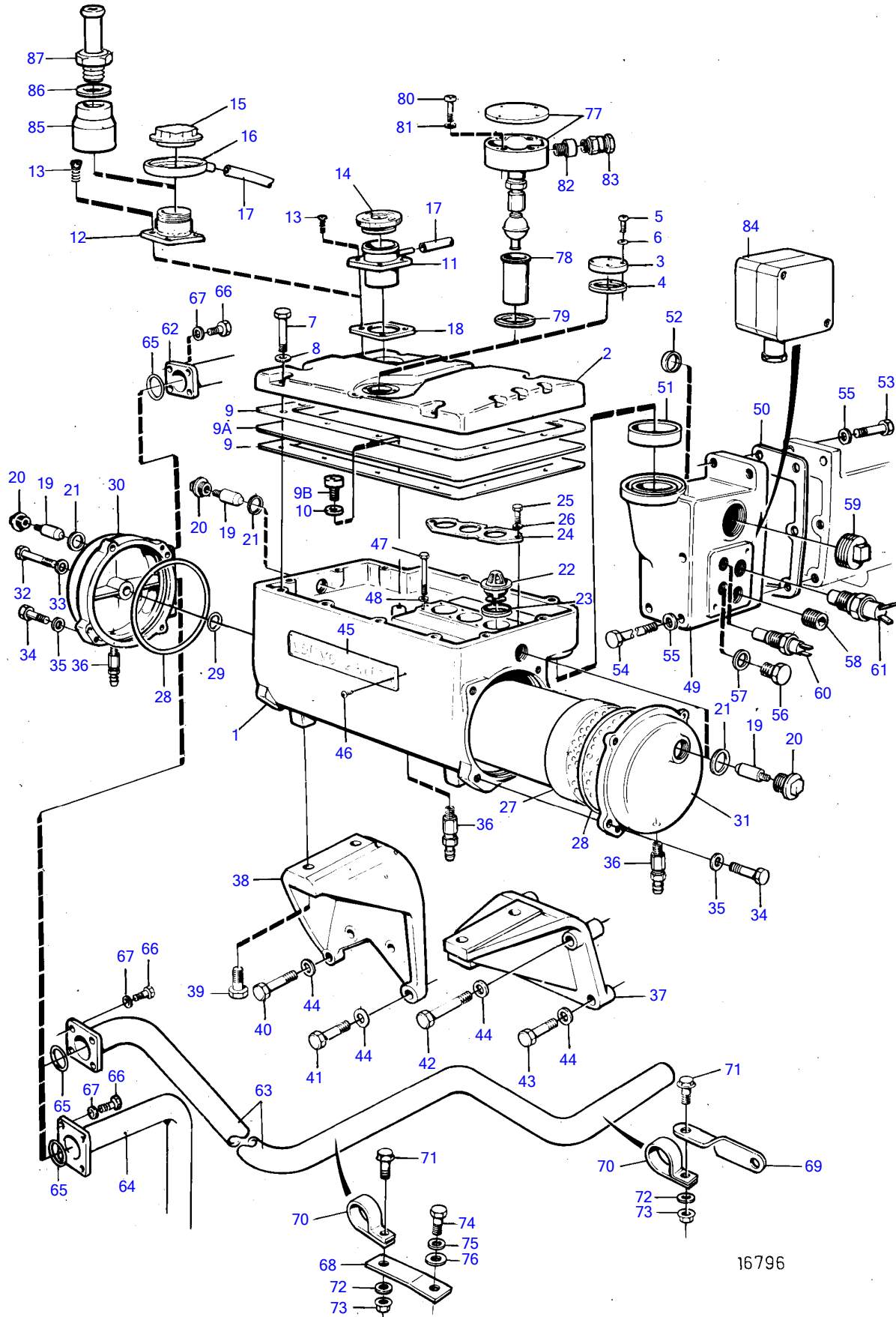


TAMD122A, TMD122A



## TAMD122A, TMD122A

REF	PART NO.	QTY	DESCRIPTION	SEE SEC.	NOTES
1	866655	1	Housing		(822629)
2	822631	1	Cover, not level guard outlet		SN-1101028727/XXXXXX
	864182	1	Cover, not level guard outlet		SN1101028728/XXXXXX-
	843527	1	Cover, with level guard outlet		SN-1101051628/XXXXXX
	3825724	1	Cardboard tube, with level guard outlet		Later production without groove for cable to level guard., SN1101051629/XXXXXX-
3	843760	1	Cardboard tube		
4	863715	1	Gasket		
5	956076	4	Cross recessed screw		
6	941905	4	Spring washer		
7	955536	5	Hexagon screw		For 864182,3825724
	940162	5	Hexagon screw		For 864182,3825724
	955536	6	Hexagon screw		For 822631,843527
	955538	4	Hexagon screw		For 822631,843527
8	942336	10	Spring washer		
9	3827400	2	Gasket		2 ea of gaskets 862599 should be used when plate 866735 is installed.
9A	866735	1	Plate		SN1101051474/XXXXXX-
9B	959457	1	Hex. socket screw		SN1101051474/XXXXXX-
10	942551	1	Washer		SN1101051474/XXXXXX-
11	823580	1	Filler neck		SN-1101051473/XXXXXX
12	3825064	1	Filler neck		SN1101051474/XXXXXX-
13	950158	4	Cross recessed sunk		For 822631,864182,3825724
	956224	4	Cross recessed screw		For 843527
14	866095	1	Pressure cap		SN-1101051473/XXXXXX
15	1674083	1	Pressure cap		SN1101051474/XXXXXX-
16	3828863	1	Rubber collar		SN1101051474/XXXXXX-
17	192618	X	Hose		L=1000mm
18	842137	1	Gasket		
19	823661	4	Zinc anode		
20	823662	4	Plug		
21	836169	4	Gasket		
22	3831424	3	Thermostat kit		
23	416033	3	• Sealing ring		
24	822628	1	Thermostat retainer		
25	942342	4	Hexagon screw		
26	941670	4	Washer		
27	3827496	1	Heat exchanger eleme		(3825962)
28	925278	4	O-ring		
29	955977	1	O-ring		
30	844040	1	End cover		
31	822621	1	End cover		
32	955598	1	Hexagon screw		
33	941912	1	Spring washer		
34	955536	8	Hexagon screw		
35	942336	8	Spring washer		
36	949918	3	Shut-off cock		
37	820730	1	Bracket		
38	(823036)	1	Bracket		Obsolete part
39	940162	4	Hexagon screw		
40	955541	3	Hexagon screw		L=76mm
41	955535	1	Hexagon screw		L=32mm
42	940156	2	Hexagon screw		L=89mm
43	955539	2	Hexagon screw		L=64mm
44	942336	12	Spring washer		
45	820232	1	Sign		
46	950210	3	Cross recessed screw		
47	959979	6	Hexagon screw		
48	942551	6	Washer		
49	822574	1	End cover		Repl by 3826203
	3826203	1	End cover		SN1101053070/XXXXXX-
				2182	TAMD122P-A"
50	3827398	1	Gasket		

## TAMD122A, TMD122A

REF	PART NO.	QTY	DESCRIPTION	SEE SEC.	NOTES
51	836746	1	Sealing ring		
52	822575	1	Sealing ring		
53	955535	2	Hexagon screw		
54	942338	4	Hexagon screw		
55	942336	6	Spring washer		
56	180761	X	Plug		
57	11996	X	Gasket		
58	479977	X	Plug		(952077)
59	190998	1	Plug		
60		1	Ect sensor	3073	See group 30
61		1	Temperature contact	3073	See group 30
62	3825373	1	Coolant pipe		Heat exchanger-after cooler., For TAMD122A
	3825445	1	Coolant pipe		Heat exchanger-oil cooler., For TMD122A (846237)
63	866753	1	Coolant pipe		Heat exchanger-oil cooler, reverse gear., For TAMD122A
64	3825443	1	Coolant pipe		Sea water pump-heat exchanger., For TMD122A (846239)
65	843584	2	Gasket		
66	956569	8	Hex. socket screw		
67	941907	8	Spring washer		
68	965535	1	Bracket		(847351)
69	(847350)	1	Bracket		Obsolete part
70	32447	2	Clamp		
71	940115	2	Hexagon screw		
72	942336	2	Spring washer		
73	955827	2	Hexagon nut		
74	940100	1	Hexagon screw		
75	941906	1	Spring washer		
76	955893	1	Washer		
77	872315	1	Level guard		
78	863711	1	Tube		
79	863715	1	Gasket		
80	941460	4	Hex. socket screw		
81	941905	4	Spring washer		
82	843906	1	Reduction sleeve		
83	881191	1	Grommet		
84		1	Protecting casing, classifiable		
85	3826167	1	Adapter		For expansion tank.
86	836169	1	Gasket		For expansion tank.
87	943268	1	Hose nipple		For expansion tank.