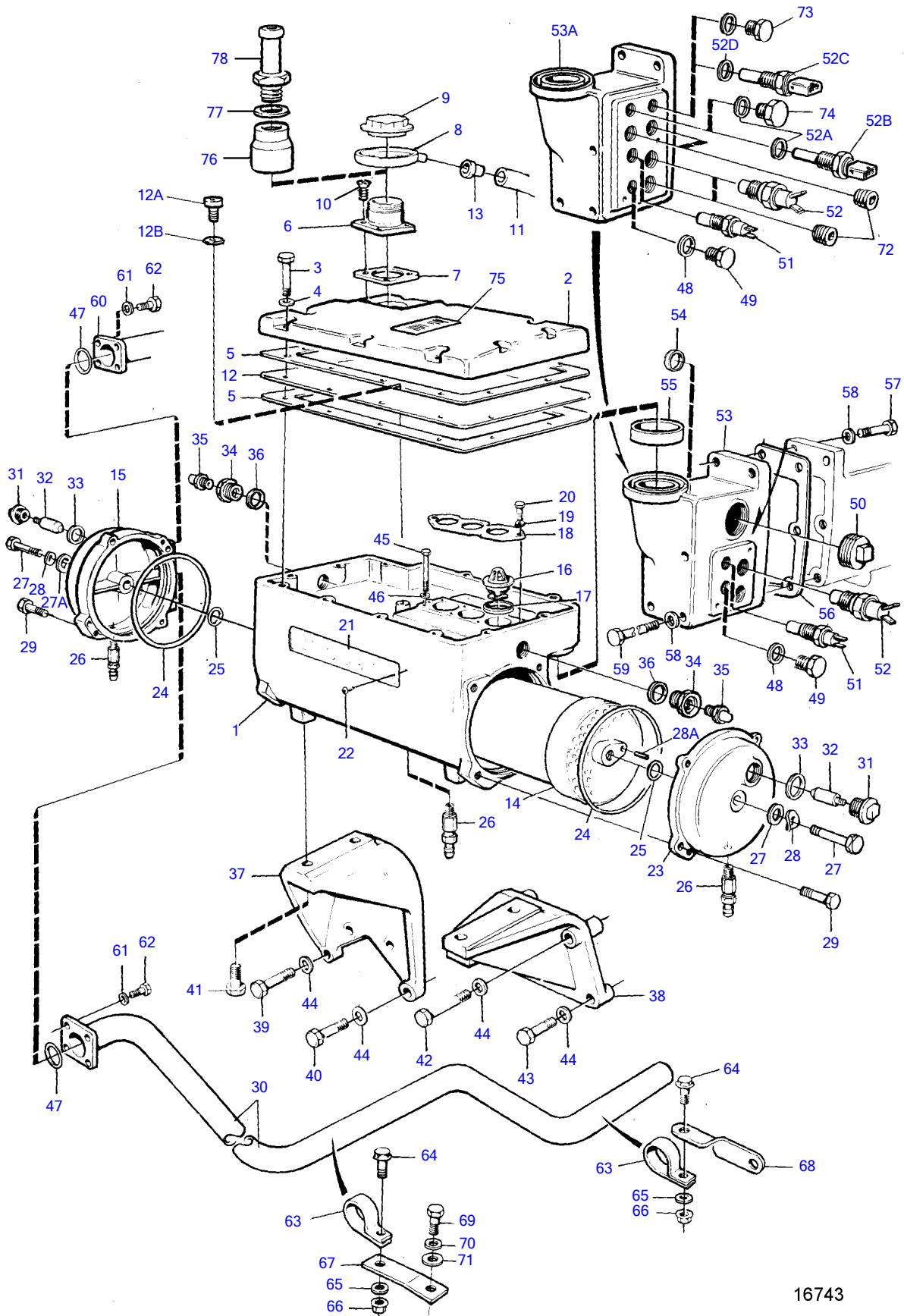


TAMD122P-A, TAMD122P-B, TAMD122P-C



16743

## TAMD122P-A, TAMD122P-B, TAMD122P-C

REF	PART NO.	QTY	DESCRIPTION	SEE SEC.	NOTES
1	866655	1	Housing		
2	864182	1	Cover		Repl by 3825724
	3825724	1	Cardboard tube	2174	
3	955536	5	Hexagon screw		L=45mm
	940162	5	Hexagon screw		L=38mm
4	942336	10	Spring washer		
5	3827400	2	Gasket		
6	3825064	1	Filler neck		
7	842137	1	Gasket		
8	11033334	1	Collar		Earlier prod (1196982) Repl by 3828863 (11110005)
	3828863	1	Rubber collar		
9	1674083	1	Pressure cap		
10	950158	4	Cross recessed sunk		
11	192618	X	Hose		L=1000mm
12	866735	1	Plate		
12A	959457	1	Hex. socket screw		L=114mm
12B	942551	1	Washer		
13	(1246524)	1	Nipple		For 1103334, Obsolete part (3825960)
14	3827495	1	Heat exchanger eleme		
15	866710	1	End plate		
16	3831424	3	Thermostat kit		
17	416033	3	• Sealing ring		
18	822628	1	Thermostat retainer		
19	941670	4	Washer		
20	942342	4	Hexagon screw		
21	820232	1	Sign		Early type
22	950210	3	Cross recessed screw		Early type
	(3826388)	1	Decal		Volvo Penta High Performance, Late type, Obsolete part
23	849032	1	Cardboard tube		
24	925278	3	O-ring		
	925276	1	O-ring		
25	955977	2	O-ring		
26	949918	3	Shut-off cock		
27	955598	2	Hexagon screw		
27A	955900	2	Washer		
28	941912	2	Spring washer		
28A	950529	2	Pin		
29	955539	4	Hexagon screw		
30	866753	1	Coolant pipe		Heat exchanger-oil cooler, reverse gear.
31	823662	2	Plug		
32	823661	2	Zinc anode		
33	836169	2	Gasket		
34	3825610	2	Nipple		
35	3825542	2	Level sight glass		
36	836169	2	Gasket		
37	(823036)	1	Bracket		Obsolete part
38	820730	1	Bracket		
39	955541	3	Hexagon screw		
40	955535	1	Hexagon screw		
41	940162	4	Hexagon screw		
42	940156	2	Hexagon screw		
43	955539	2	Hexagon screw		
44	942336	12	Spring washer		
45	959979	6	Hexagon screw		
46	942551	6	Washer		
47	843584	2	Gasket		
48	11996	X	Gasket		
49	180761	X	Plug		
50	190998	X	Plug		
51			Ect sensor		TAMD122P-A, See group 30
52			Temperature contact		TAMD122P-A, See group 30
52A	11998	1	Gasket		

## TAMD122P-A, TAMD122P-B, TAMD122P-C

REF	PART NO.	QTY	DESCRIPTION	SEE SEC.	NOTES
52B		1	Ect sensor, instrument		TAMD122P-B, See group 30
52C		1	Ect sensor, EDC-unit		TAMD122P-B, See group 30
52D	11996	1	Gasket		
53	876855	1	End cover		SN-1101053069/XXXXXX
53A	3826203	1	End cover		SN1101053070/XXXXXX-
54	822575	1	Sealing ring		
55	836746	1	Sealing ring		
56	3827398	1	Gasket		
57	955535	2	Hexagon screw		
58	942336	6	Spring washer		
59	942338	4	Hexagon screw		
60	866756	1	Tube		Heat exchanger-after cooler.
61	941907	8	Spring washer		
62	956569	8	Hex. socket screw		
63	32447	2	Clamp		
64	955535	2	Hexagon screw		
65	942336	2	Spring washer		
66	955827	2	Hexagon nut		
67	965535	1	Bracket		(847351)
68	(847350)	1	Bracket		Obsolete part
69	940100	1	Hexagon screw		
70	941906	1	Spring washer		
71	955893	1	Washer		
72	479977	X	Plug		
73	960631	1	Plug		TAMD122P-A
74	960632	1	Plug		TAMD122P-A
75	3825346	1	Decal		Warning text.
76	3826167	1	Adapter		For expansion tank.
77	836169	1	Gasket		For expansion tank.
78	943268	1	Hose nipple		For expansion tank.