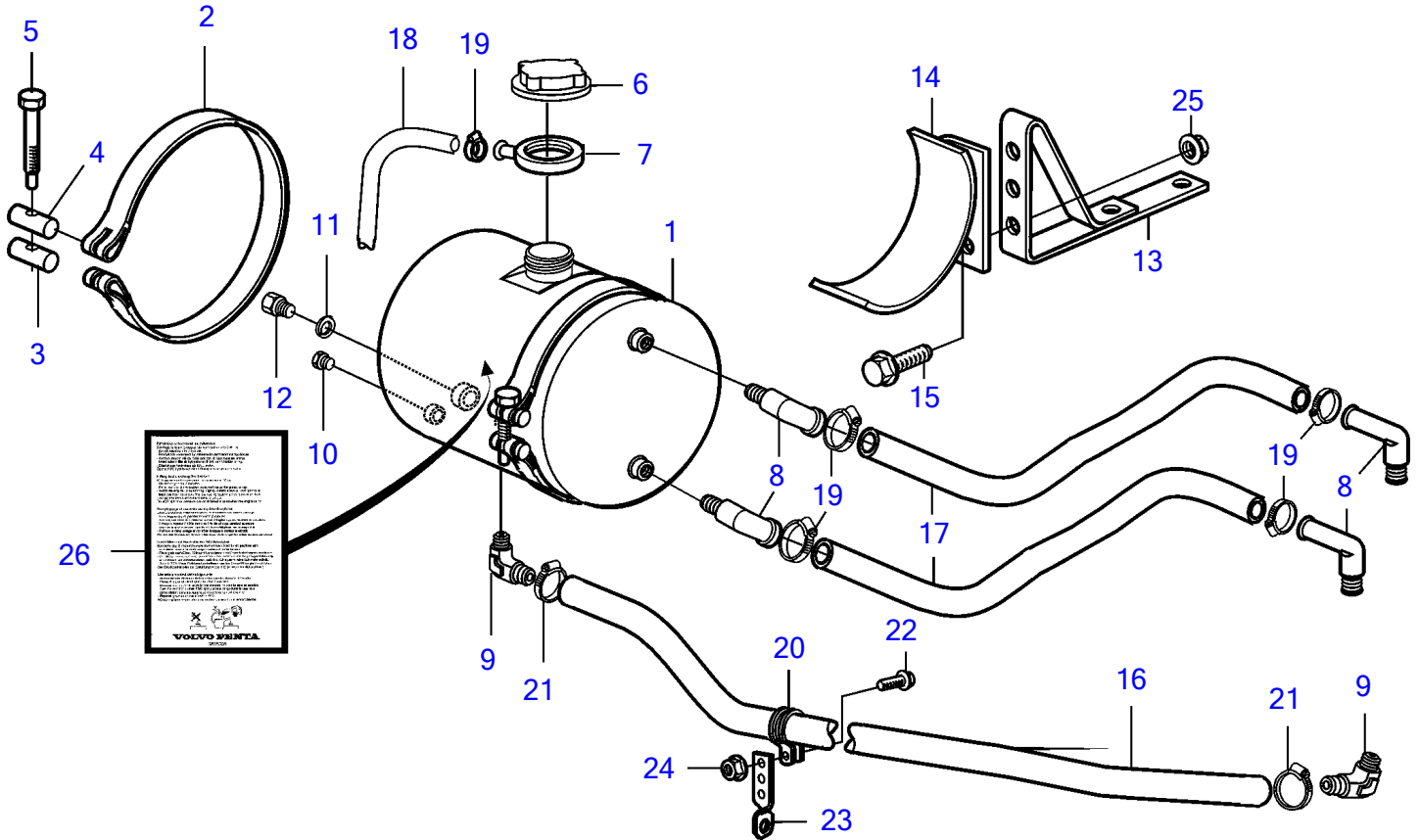


TAMD122P-A, TAMD122P-B, TAMD122P-C



19548

TAMD122P-A, TAMD122P-B, TAMD122P-C

REF	PART NO.	QTY	DESCRIPTION	NOTES
1	3827367	1	Expansion tank	
2	339958	2	Tensioning band	
3	31405	2	Pin	
4	31404	2	Clevis pin	
5	31406	2	Hexagon screw	
6	1674083	1	Pressure cap	75kPa
7	3828863	1	Rubber collar	
8	479953	4	Elbow nipple	
9	942649	2	Elbow nipple	
10	981749	2	Plug	
11	11998	1	Gasket	
12	960632	1	Plug	
13	3827997	1	Bracket	
14	3826803	1	Bracket	
15	946329	4	Flange screw	
16	944386	X	Rubber hose	
17	943367	X	Rubber hose	
18	192618	X	Hose	
19	943470	4	Hose clamp	
20	952637	1	Clamp	
21	943475	2	Hose clamp	
22	967949	1	Flange screw	
23	354842	1	Bracket	
24	949278	1	Flange lock nut	
25	971098	4	Flange lock nut	
26	3825346	1	Decal	