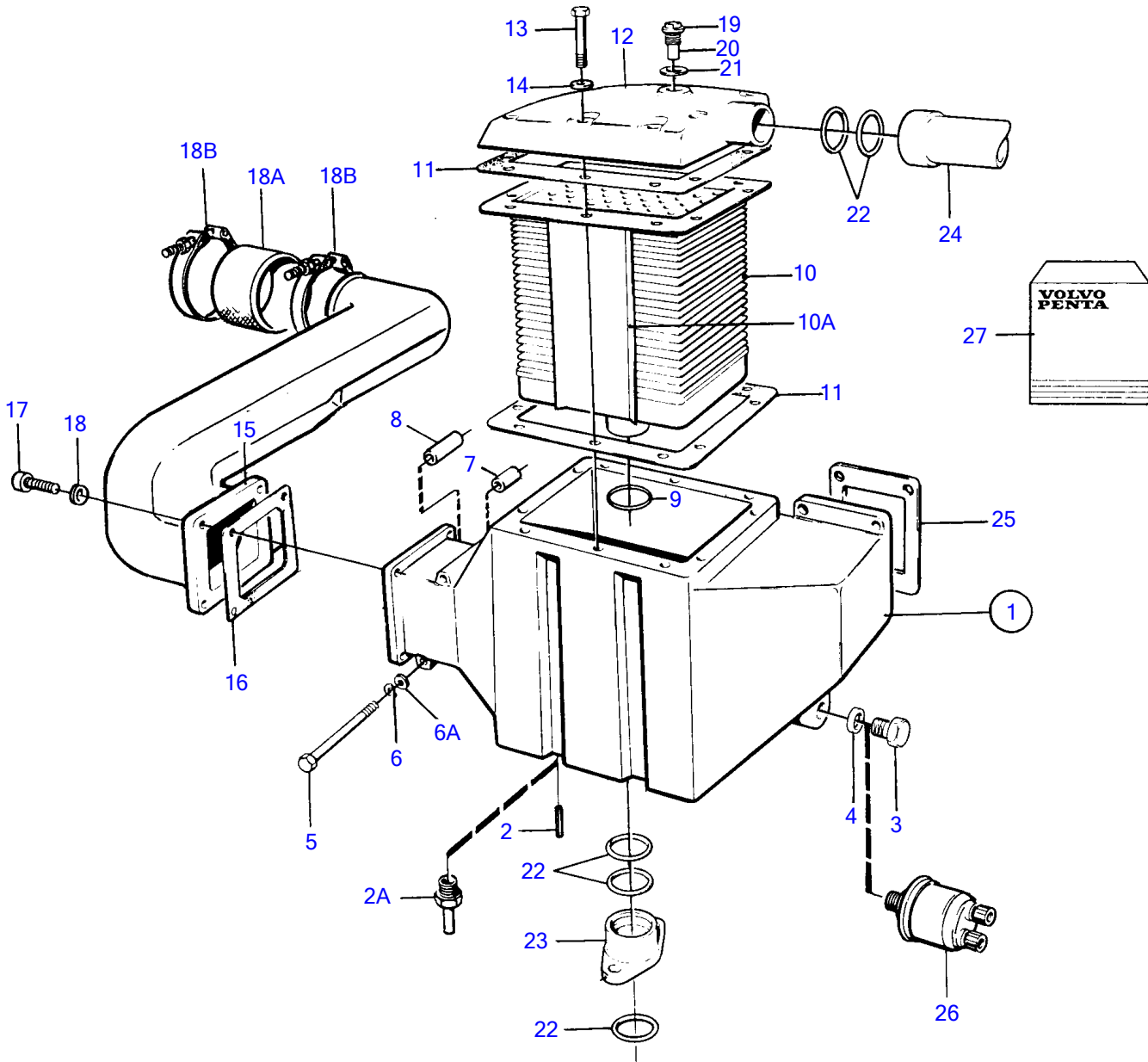


TAMD122A



16013

TAMD122A

REF	PART NO.	QTY	DESCRIPTION	NOTES
1	842392	1	Housing	Replaced by 876797
	876797	1	Housing	
2	(951941)	1	• Spring pin	For 842392, Obsolete part
2A	943513	1	• Nipple	For 876797
3	960632	1	Plug	
4	957181	1	Gasket	
5	945749	2	Hexagon screw	
6	941907	2	Spring washer	
6A	976944	2	Washer	(966674)
7	807425	1	Spacer sleeve	(836788)
8	823498	1	Spacer sleeve	
9	1664473	1	O-ring	
10	866622	1	Insert	Classified
10A	849147	1	Sealing plate	
11	3827399	2	Gasket	
12	843590	1	Cardboard tube	
13	959952	10	Hexagon screw	
14	941670	10	Washer	
15	837481	1	Intake bend	
16	864758	1	Gasket	
17	956570	4	Hex. socket screw	
18	941907	4	Spring washer	
18A	470327	1	Hose	
18B	1544731	2	Hose clamp	
19	823662	1	Plug	
20	823661	1	Zinc anode	
21	836169	1	Gasket	
22	925092	5	O-ring	
23	843565	1	Pipe connection	
24	3825373	1	Coolant pipe	
25	862589	1	Gasket	
26			Pressure sensor	See group 30
			Connector, sender box	Classified
27	876295	1	Gasket kit	
			Intercooler	