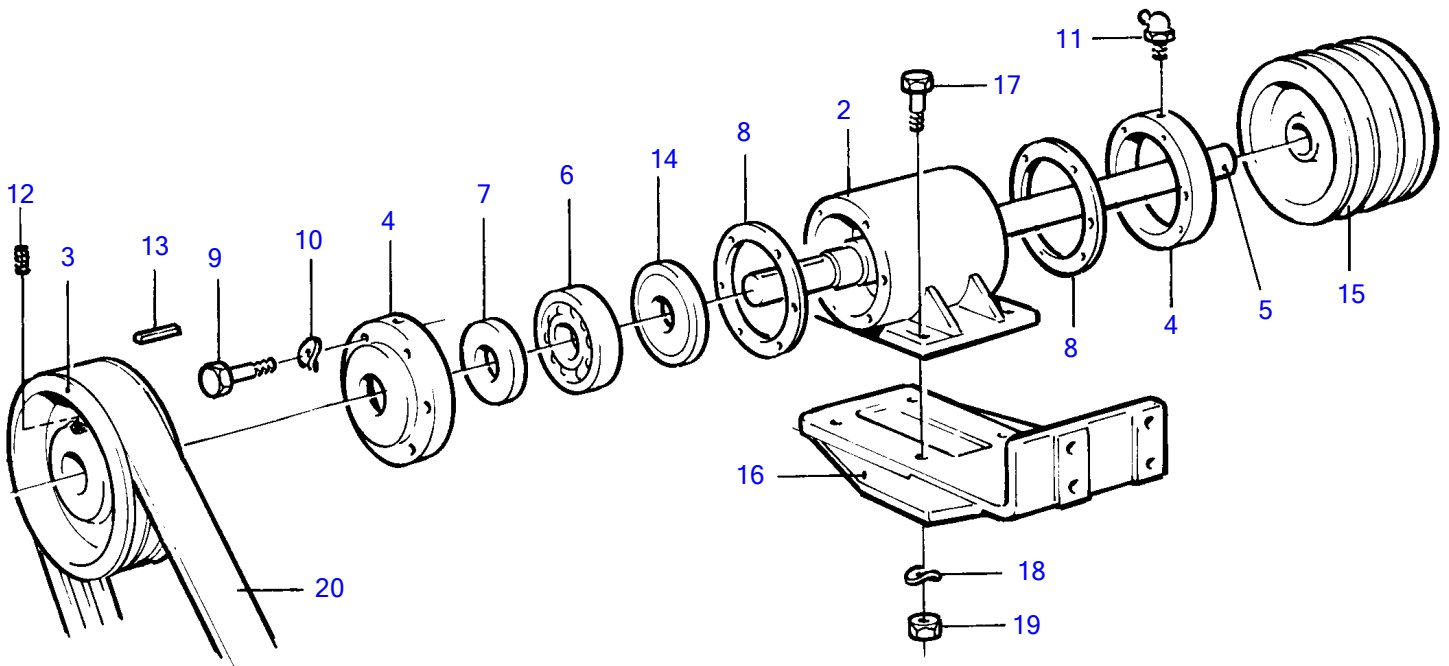


TAMD122A, TMD122A

1



11804

TAMD122A, TMD122A

REF	PART NO.	QTY	DESCRIPTION	NOTES
1	(837463)	1	Power take-off	Obsolete part
2	(837438)	1	• Bearing housing	Obsolete part
3	(837467)	1	• Pulley	Obsolete part
4	(837439)	2	• Cover	Obsolete part
5	(837465)	1	• Shaft	Obsolete part
6	183719	2	• Roller bearing	
7	958876	2	• Sealing ring	
8	(837440)	2	• Gasket	Obsolete part
9	955513	12	• Hexagon screw	
10	941906	12	• Spring washer	
11	914169	2	• Lubricating nipple	
12	(961206)	1	• Set screw	Obsolete part
13	(909350)	1	• Flat key	L=140mm, Obsolete part
	(963372)	1	• Key	L=180mm, Obsolete part
14	(946769)	2	• Sealing ring	Obsolete part
15		1	Pulley	
16	(837470)	1	Bracket	Obsolete part
17	(100319)	4	Hexagon screw	Obsolete part
18	955896	4	Washer	
19	971071	4	Hexagon nut	
20	837466	1	V-belt	