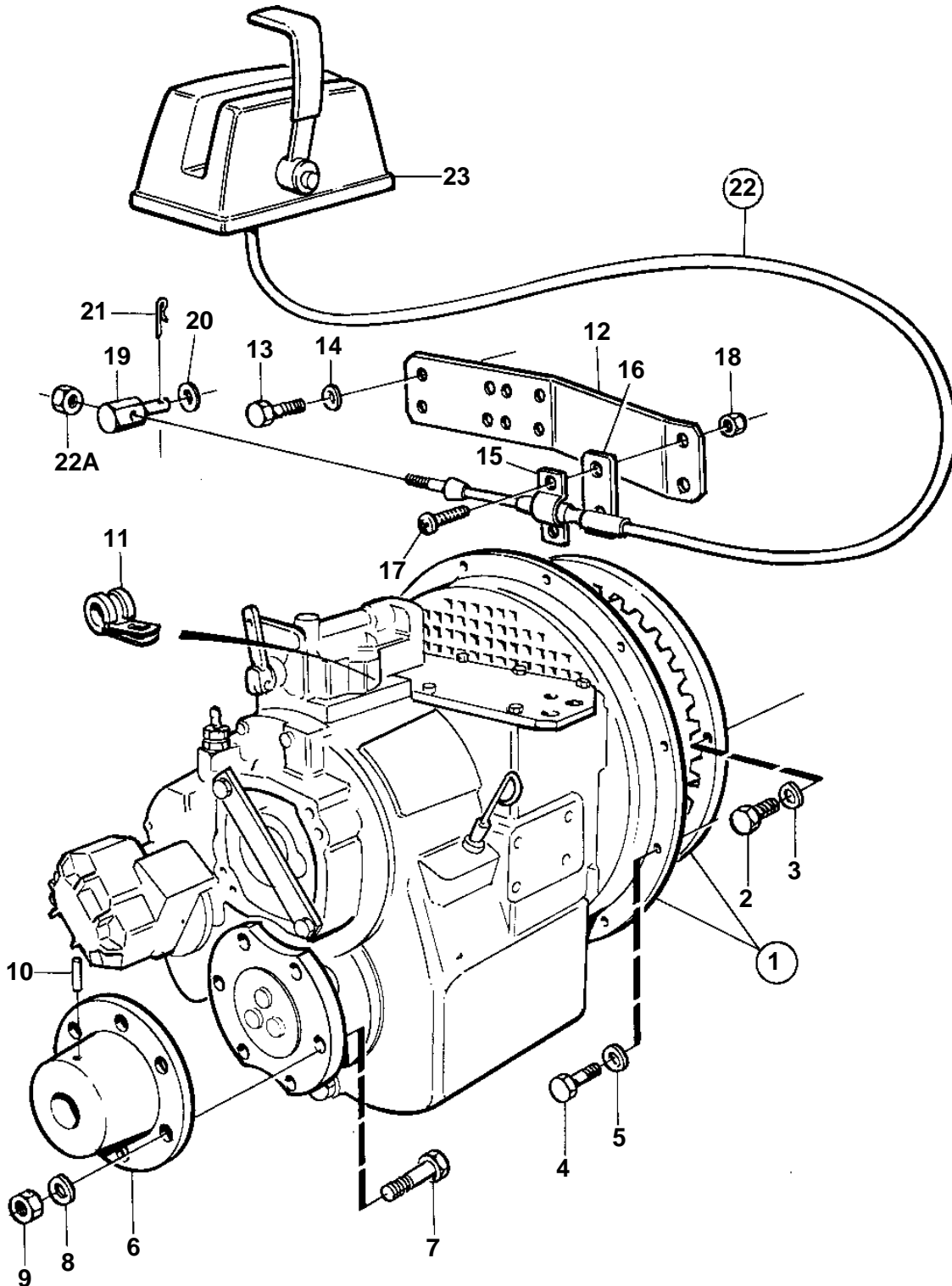


TAMD103A-A



16074

TAMD103A-A

REF	PART NO.	QTY	DESCRIPTION		NOTES
1		1	Reversing gear		RATIO 3.82:1
		1	Reversing gear		RATIO 4.50:1
			Comps. not spec.		
2	955560	8	Screw		
3	940280	8	Spring washer		
4	940134	12	Screw		
5	941909	12	Spring washer		
6	837093	1	Companion flange	SO	
7	955774	8	Screw	SO	
8	941917	8	Spring washer	SO	
9	950381	8	Lock nut	SO	
10		2	Pin		
11	949746	1	Clamp		For cable, oil pressure sensor.
12	863123	1	Bracket		
13	955524	2	Screw		
14	941907	2	Spring washer		
15	819067	1	Brace		For control cable type 333.
	6853782	1	Clamp		For control cable type 443.
16	819068	1	Washer		
17	956079	2	Screw		
18	963104	2	Nut		
19	853217	1	Cube		
20	940191	1	Washer		
21	907824	1	Cotter pin		
22		X	Control cable		SEE GROUP 27
22A		1	• Nut		
23		X	Control		SEE GROUP 27