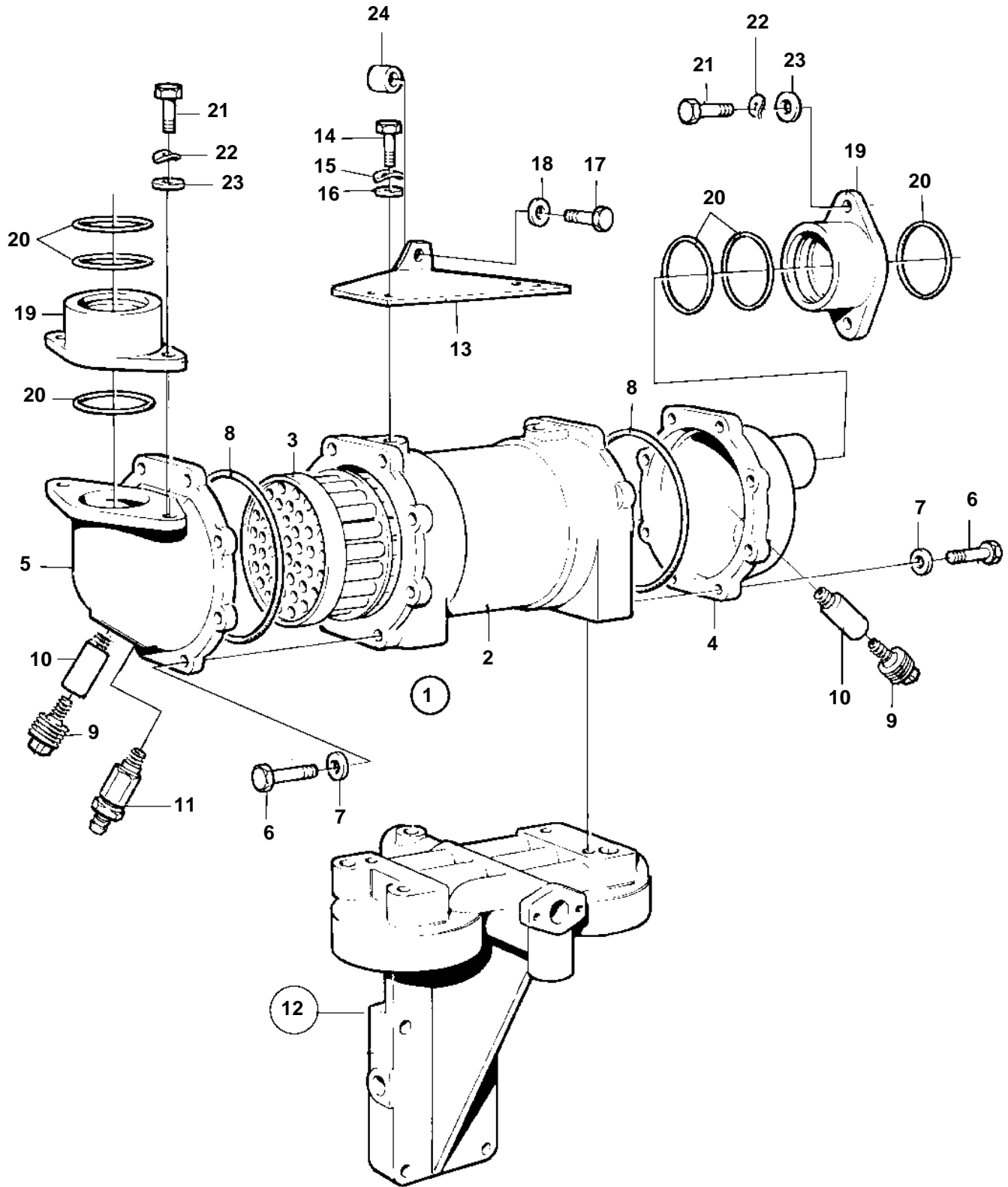


TAMD103A-A



17812

TAMD103A-A

REF	PART NO.	QTY	DESCRIPTION	SEE SEC.	NOTES
1		1	Oil coolerengine		
2	849410	1	· Housing		
3	3825932	1	· Insert		(864213)
4	864550	1	· End plate		
5	864319	1	· End plate		
6	940094	16	· Screw		
7	941906	16	· Spring washer		
8	925027	2	· O-ring		
9	838928	2	· Plug		
10	838929	2	· Zinc anod		
11	949918	1	Drain cock		
12		1	Oil filter housing	842	
13		1	Support	NS	
14	940100	2	Screw		
15	941906	2	Spring washer		
16	955893	2	Washer		
17	955535	1	Screw		
18	942336	1	Spring washer		
19	843565	2	Pipe connection		
20	925092	6	O-ring		
21	955525	4	Screw		
22	941907	4	Spring washer		
23	191172	4	Washer		
24	829653	1	Spacer sleeve		