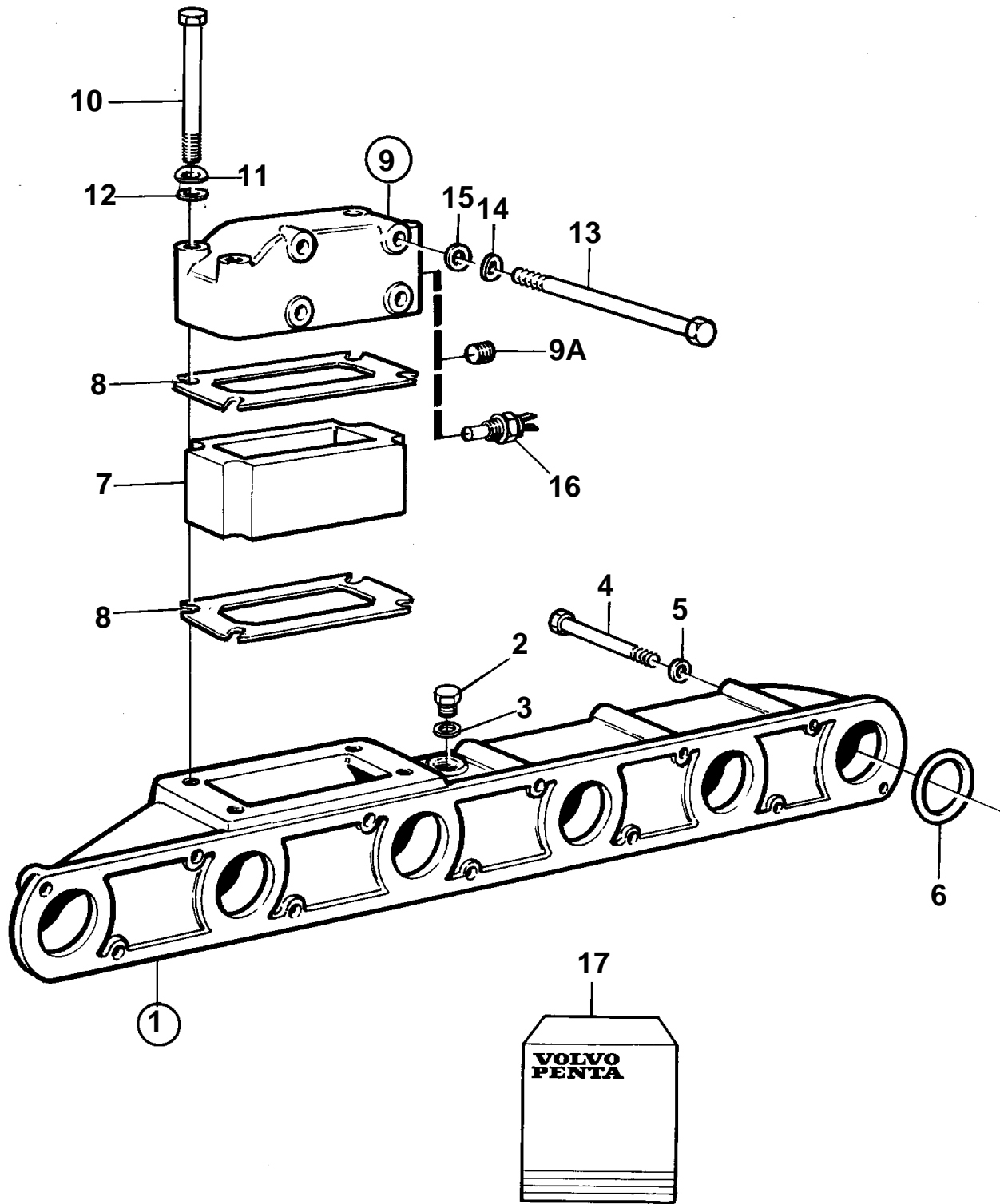


TAMD103A-A



15268

TAMD103A-A

REF	PART NO.	QTY	DESCRIPTION	NOTES
1	1545048	1	Inlet pipe	
2	940113	1	• Screw	
3	947620	1	• Gasket	
4	955526	6	Screw	L=55mm
	955533	2	Screw	L=102mm
	949886	2	Screw	L=108mm
5	941907	10	Spring washer	
6	469829	6	Rubber ring	
7	470211	1	Intermediate section	
8	424618	2	Gasket	
9	3825256	1	Intermediate housing	
9A	479956	1	• Plug	
10	959795	2	Screw	L=140mm
	959796	2	Screw	L=152mm
11	941907	4	Spring washer	
12	191172	4	Washer	
13	959793	4	Screw	
14	941907	4	Spring washer	
15	191172	4	Washer	
16		1	Thermo monitorcharge air temp-keel cool	SEE GROUP 30
17	876649	1	Gasket kit, induct+exhaust manifold	