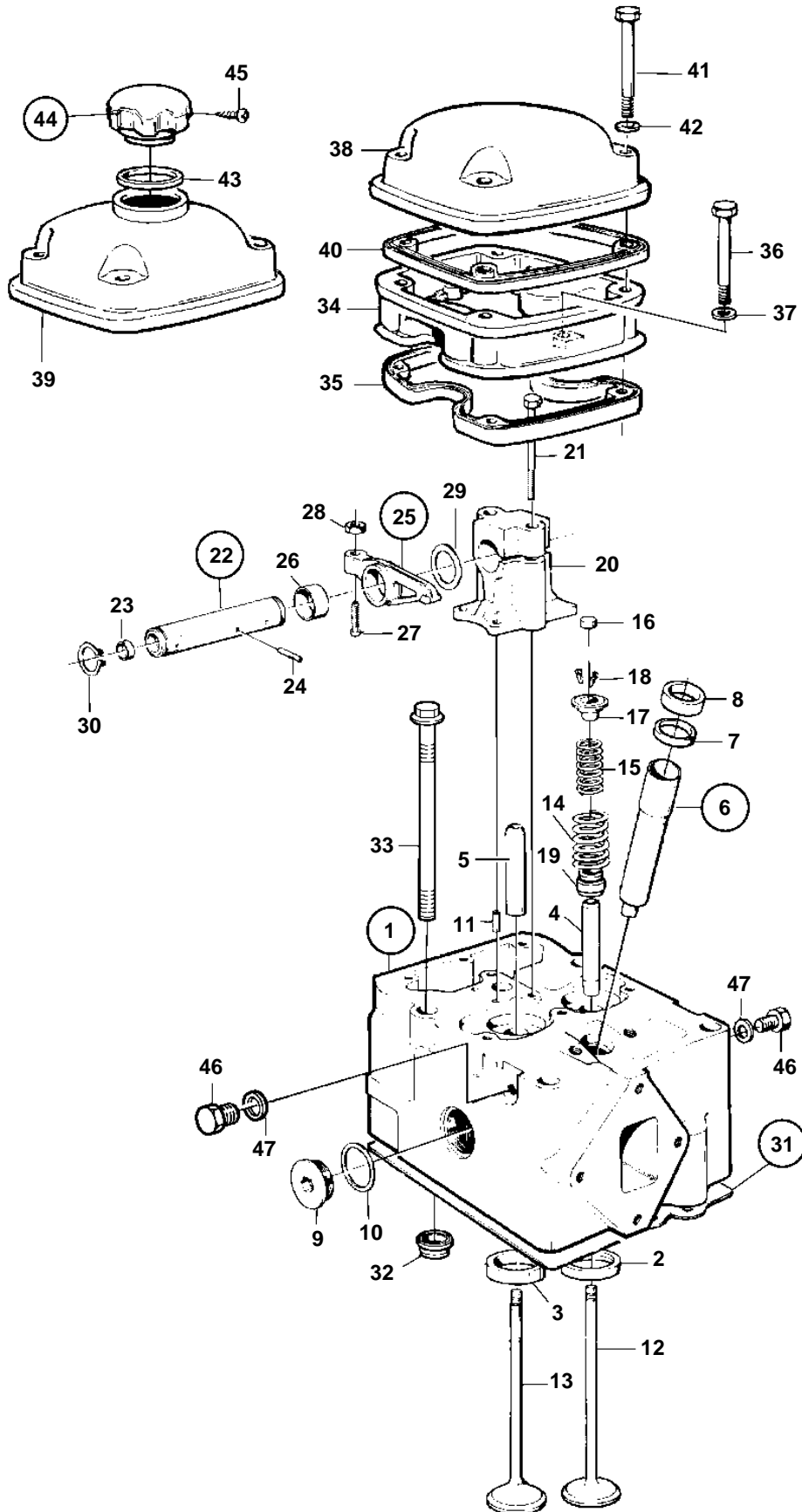


TAMD103A-A



17793

## TAMD103A-A

REF	PART NO.	QTY	DESCRIPTION	NOTES
1	8194495	6	Cylinder head	
	3803402	6	Cylinder head, exch	Exchange unit
2	467474	6	· Valve seat, intake	STD D
	467590	6	· Valve seat, intake	O.S=0,20mm
3	1545886	6	· Valve seat, exhaust	STD D
	1545885	6	· Valve seat, exhaust	O.S=0,20mm
4	1545135	6	· Valve guide, intake	
5	1545135	6	· Valve guide, exhaust	
6	270946	6	· Copper sleeve kit	
7	466405	6	· · Rubber ring	
8	466420	6	· · Steel ring	
9	8194469	12	· Plug	
10	949762	12	· O-ring	
11	950543	12	· Pin	
12	3825958	6	Inlet valve	
13	467855	6	Exhaust valve	
14	467334	12	Valve spring	
15	467335	12	Valve spring	
16	478074	12	Valve cap	
17	467506	12	Washer	
18	468305	24	Valve collet	
19	864860	6	Valve seal, intake	
20	422018	6	Bearing bracket	
21	422428	12	Screw	
22	422019	6	Shaft	
23	946778	12	· Cap plug	
24	950499	6	· Pin	
25	422063	12	Rocker arm	
26	422066	12	· Bushing	
27	422993	12	· Ball stud	
28	940175	12	· Nut	
29	941488	12	Washer	
30	914459	12	Lock ring	
31	270789	6	Gasket kit	
32	422415	12	· Sealing ring	I.D=17,5mm
	422414	12	· Sealing ring	I.D=31,5mm
	422413	6	· Sealing ring	I.D=10,5mm
33	422086	24	Flange screw	
34	469431	6	Valve cover	
35	424693	6	Gasket	
36	940159	12	Screw	
37	955894	12	Washer	
38	469432	5	Valve cover	
39	469457	1	Valve cover, oil filling	
40	424694	6	Gasket	
41	955530	24	Screw	
42	941907	24	Spring washer	
43	1275379	1	Gasket	
44	421753	1	Oil filler cap	
45	955126	1	· Screw	
46	941876	12	Plug	
47	18666	12	Gasket	