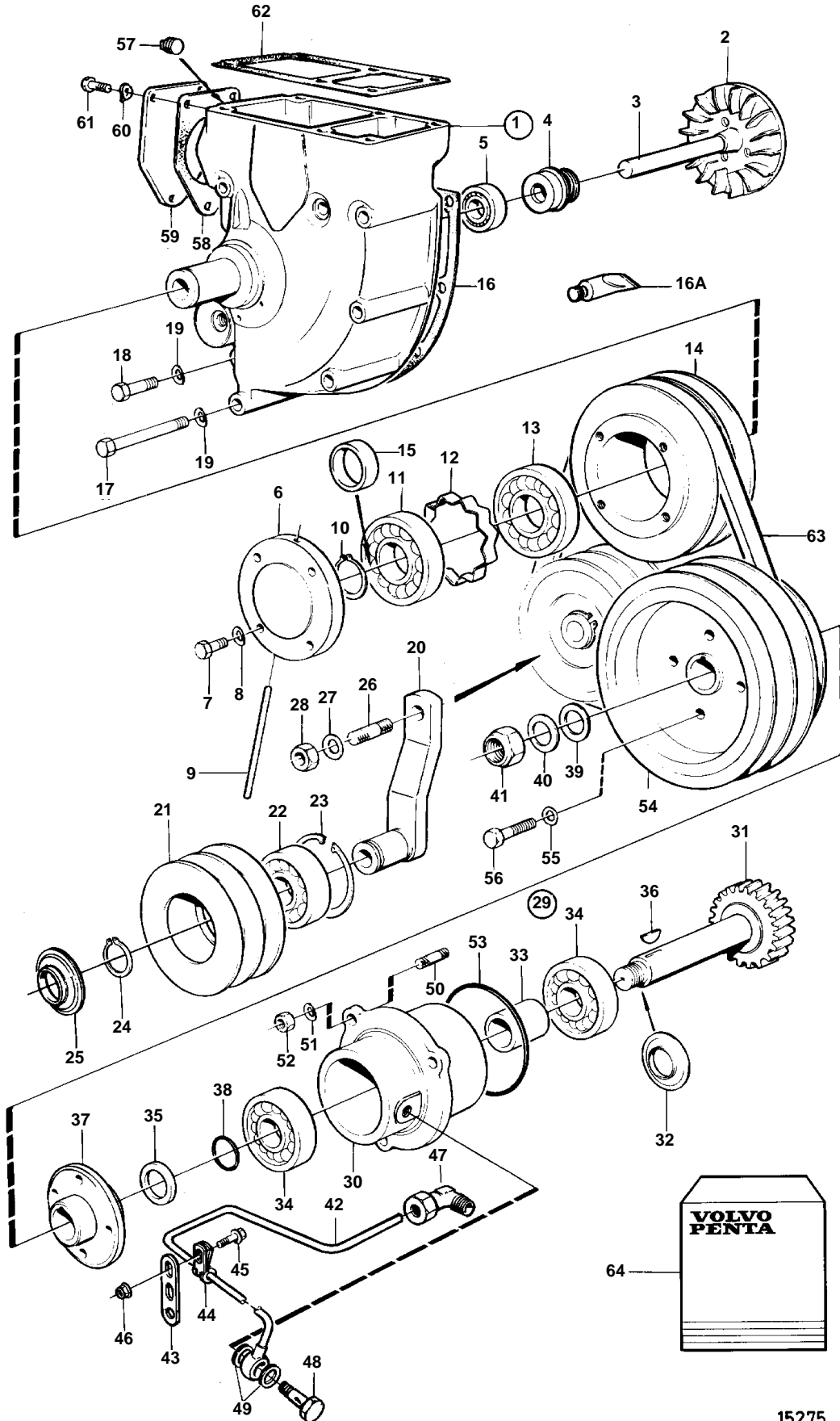


TAMD103A-A



15275

TAMD103A-A

REF	PART NO.	QTY	DESCRIPTION	NOTES
1	866584	1	Water pump	
	3803214	1	Circ. pump, exch	Exchange unit
2	1698603	1	· Impeller	
3	421082	1	· Shaft	
4	1676432	1	· Sealing ring	
5	1660609	1	· Ball bearing	
6	836805	1	· Companion flange	
7	940159	4	· Screw	
8	941907	4	· Spring washer	
9	951969	1	· Pin	
10	914462	1	· Lock ring	
11	1542870	1	· Ball bearing	
12	422202	1	· Spacer sleeve	
13	181538	1	· Ball bearing	
14	822548	1	· Pulley	
15	1542871	1	· Spacer sleeve	
16	423127	1	Gasket	
16A	1161231	X	Sealant	
17	955542	6	Screw	
18	940162	2	Screw	
19	942336	8	Spring washer	
20	823024	1	Lever, belt tensioner	
21	822551	1	Pulley	
22	1544092	1	Ball bearing	
23	914533	1	Snap ring	
24	914462	1	Lock ring	
25	420416	1	Protecting plate	
26	953354	1	Stud	
27	941911	1	Spring washer	
28	955828	1	Nut	
29	837702	1	Drive outlet	
30	837703	1	· Bearing housing	
31	837704	1	· Gear	
32	837705	1	· Oil deflector	
33	837706	1	· Spacer sleeve	
34	3825779	2	· Ball bearing	(183731)
35	958856	1	· Sealing ring	
36	909867	1	· Key	
37	837707	1	· Hub	
38	190418	1	· O-ring	
39	947170	1	· Gasket	
40	837708	1	· Washer	
41	949399	1	· Nut	
42	866082	1	Oil pipe	SO
43	965535	1	Bracket	
44	952622	1	Clamp	
45	946544	1	Flange screw	
46	945407	1	Flange nut	
47	866083	1	Nipple, cylinder block	SO
48	844625	1	Hollow screw	
49	947620	2	Gasket	
50	953257	1	Stud	L=35mm
	953280	2	Stud	L=120mm
51	942336	3	Spring washer	
52	955827	3	Nut	
53	949660	1	O-ring	
54	842769	1	Pulley	
55	942336	4	Spring washer	
56	955534	4	Screw	
57	479977	1	Plug	
58	422171	1	Gasket	
59	846685	1	Flange, heat exchanger	
60	941907	3	Spring washer	

TAMD103A-A

REF	PART NO.	QTY	DESCRIPTION	NOTES
61	955524	3	Screw	
62	862596	1	Gasket	
63	966958	1	V-belt kit	
64	876434	1	Repair kit, circulation pump	