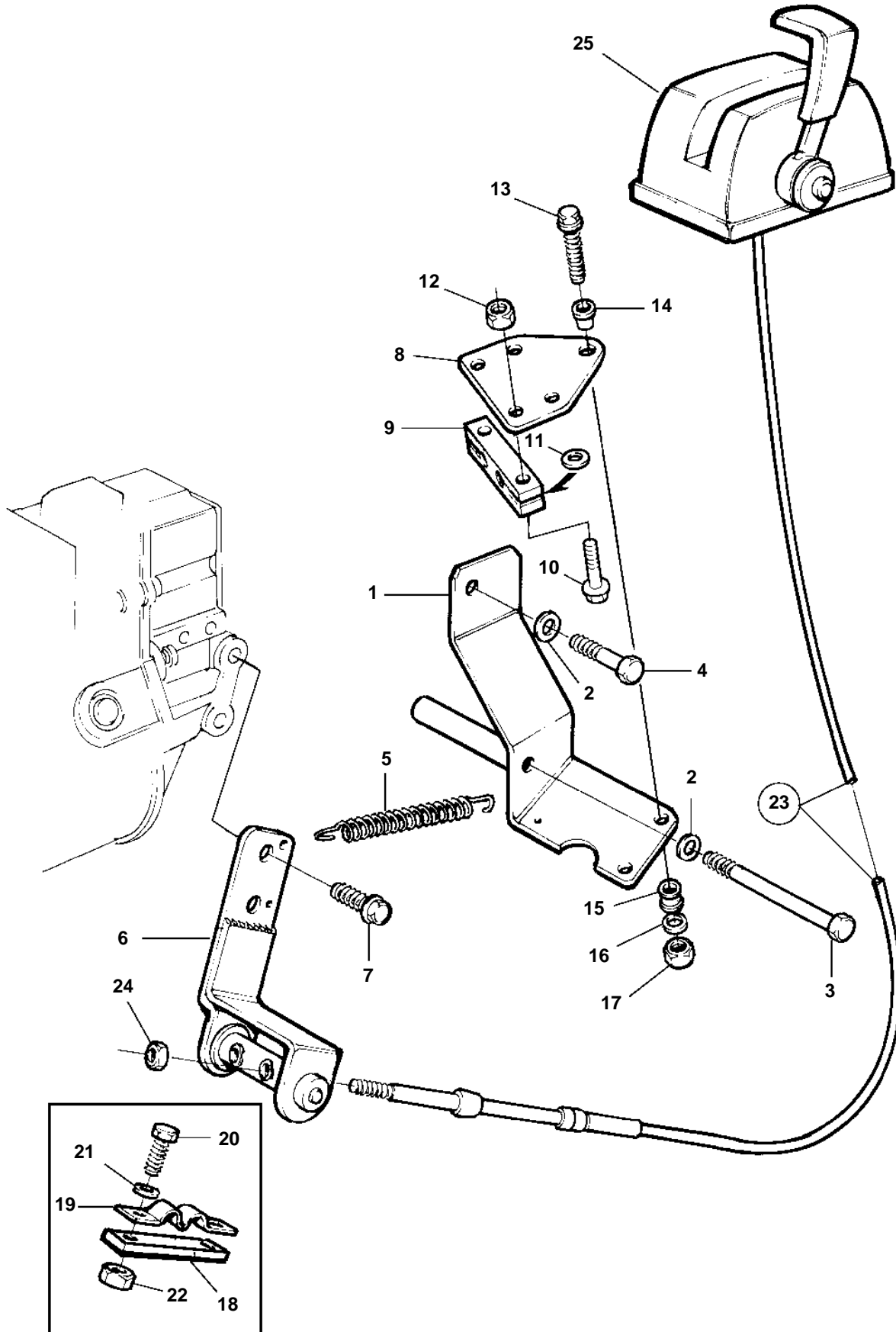


TAMD103A-A



TAMD103A-A

| REF | PART NO. | QTY | DESCRIPTION      | SEE SEC. |
|-----|----------|-----|------------------|----------|
| 1   | 866922   | 1   | Bracket          |          |
| 2   | 942336   | 2   | Spring washer    |          |
| 3   | 942338   | 1   | Screw            |          |
| 4   | 940114   | 1   | Screw            |          |
| 5   | 819809   | 1   | Tension spring   |          |
| 6   | 866923   | 1   | Lever            |          |
| 7   | 967949   | 2   | Screw            |          |
| 8   | 1140270  | 1   | Bracket          |          |
| 9   | 1140271  | 1   | Anchorage        |          |
| 10  | 948217   | 2   | Flange screw     |          |
| 11  | 955894   | 1   | Washer           |          |
| 12  | 963106   | 2   | Nut              |          |
| 13  | 947542   | 2   | Screw            |          |
| 14  | 824834   | 2   | Bushing          |          |
| 15  | 824830   | 2   | Spacer sleeve    |          |
| 16  | 976943   | 2   | Washer           |          |
| 17  | 963105   | 2   | Nut              |          |
| 18  | 1140272  | 1   | Spacer           |          |
| 19  | 850182   | 1   | Cable attachment |          |
| 20  | 956081   | 2   | Screw            |          |
| 21  | 940090   | 2   | Washer           |          |
| 22  | 963104   | 2   | Nut              |          |
| 23  |          | X   | Control cable    | 231      |
| 24  |          | 1   | · Nut            |          |
| 25  |          | 1   | Control          |          |