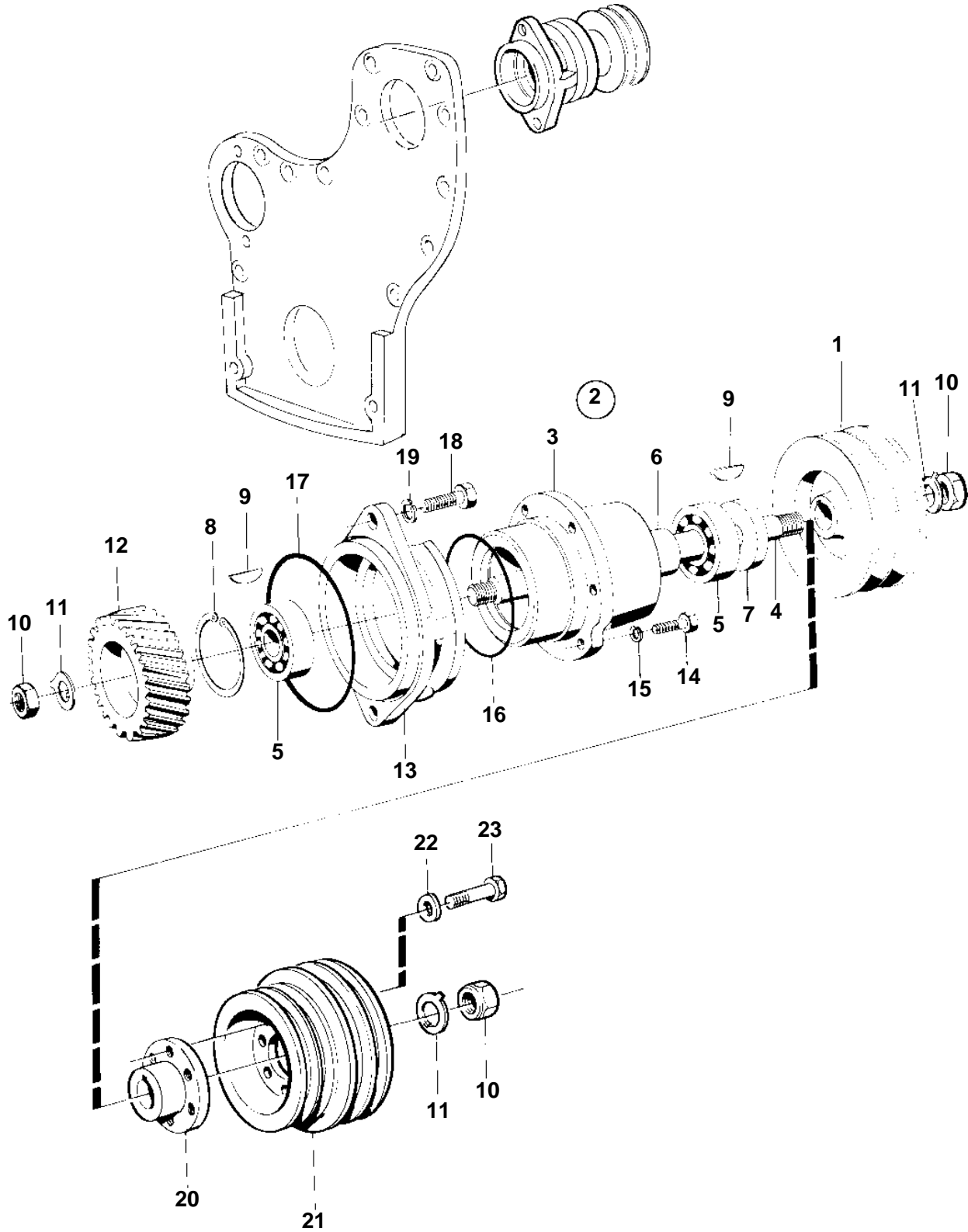


TAMD103A-A



TAMD103A-A

REF	PART NO.	QTY	DESCRIPTION	NOTES
1		1	Pulley	
2		1	Power take off	
3	821067	1	· Bearing housing	
4	821068	1	· Shaft	
5	11013	2	· Ball bearing	
6	821072	1	· Spacer sleeve	
7	958858	1	· Sealing ring	
8	914533	1	· Snap ring	
9	942406	2	· Key	
10	955860	2	· Nut	
11	942735	2	· Lock washer	
12	821090	1	Gear	
13	821091	1	Intermediate section	
14	940114	3	Screw	
15	942336	3	Spring washer	
16	925095	1	O-ring	
17	420213	1	Seal	
18	940115	2	Screw	
19	942336	2	Spring washer	
20	3826060	1	Hub	LATE TYPE
21	3826059	1	Pulley	LATE TYPE
22	955894	6	Washer	LATE TYPE
23	940135	6	Screw	LATE TYPE