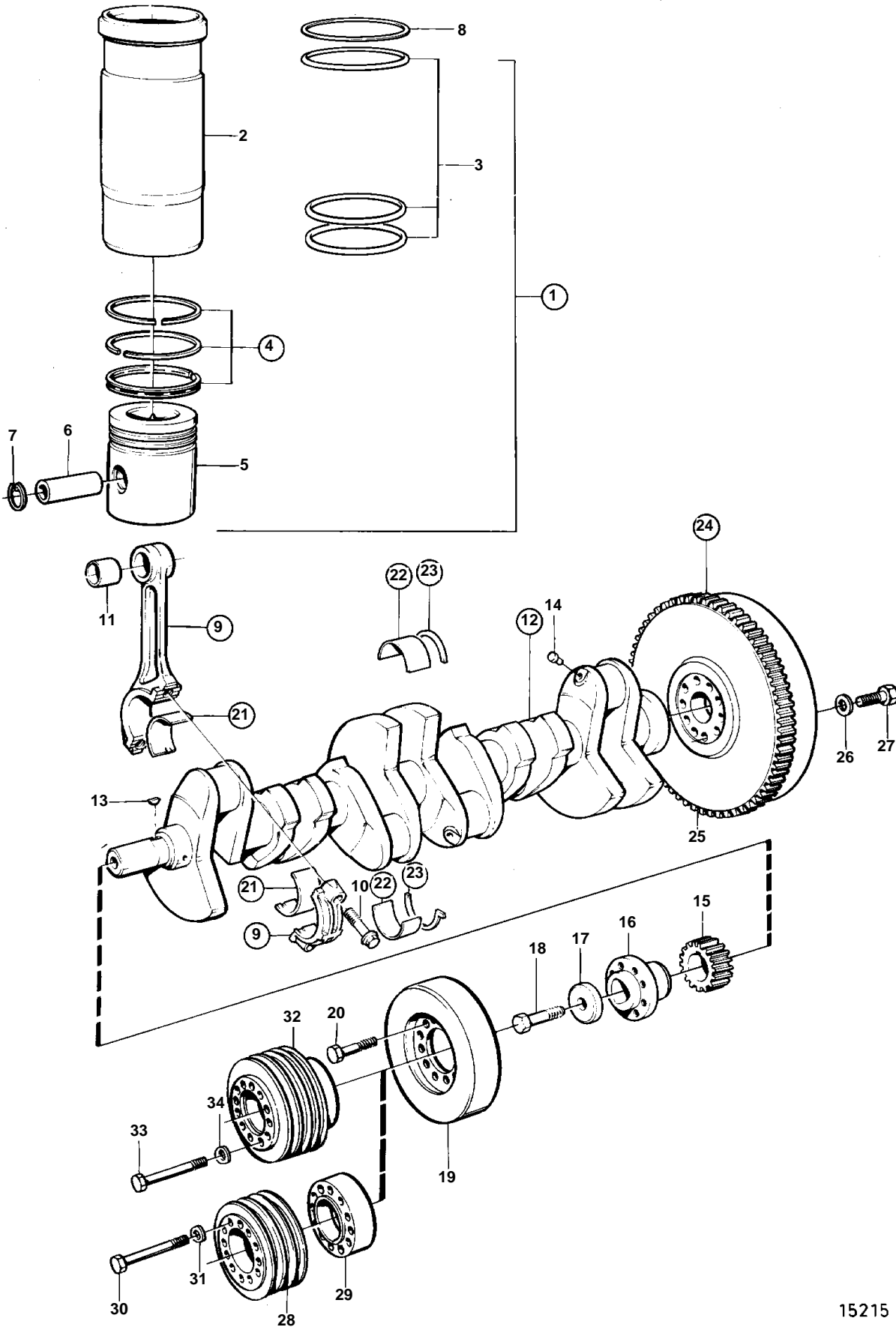


TAMD103A-A, TAMD103A-A AUX



15215

TAMD103A-A, TAMD103A-A AUX

REF	PART NO.	QTY	DESCRIPTION	SEE SEC.	NOTES
1	877347	6	Cylinder liner kit		
2		1	· Cylinder liner		
3	271157	1	· Sealing ring kit		
4	276851	1	· Piston ring kit		
5		1	· Piston		
6	8194586	1	· Piston pin		
7	914529	2	· Snap ring		
8	422619	X	Adjusting washer		Shims to adjust the cylinder liner level., TH=0,20mm
	422620	X	Adjusting washer		Shims to adjust the cylinder liner level., TH = 0,30mm
	422621	X	Adjusting washer		Shims to adjust the cylinder liner level., TH = 0,50mm
9	3830826	6	Connecting rod		CLASSIFIED
10	1545479	2	· Screw		
11	8194039	1	· Bushing		
12	3808687	1	Crankshaft		CLASSIFIED
13	422253	1	· Woodruff key		
14	978130	6	· Plug		
15	423080	1	· Gear		
			· Bulletin 45-01	45-01-EN	Timing Gears, 71, 100, 121
16	470595	1	Hub		
17	422124	1	Washer		
18	941494	1	Hexagon screw		
19	849622	1	Vibration damper		Use double Vibration Dampers for AUX / EME engines
20	956601	12	Hex. socket screw		
21	270124	6	Big-end bearing kit		STD D
	270125	6	Big-end bearing kit		U.S=0,25mm
	270126	6	Big-end bearing kit		U.S=0,50mm
		6	Big-end bearing kit		U.S=0,75mm
	270128	6	Big-end bearing kit		U.S=1,00mm
	270129	6	Big-end bearing kit		U.S=1,25mm
22	270438	7	Main bearing kit		STD D
	270439	7	Main bearing kit		U.S=0,25mm
	270440	7	Main bearing kit		U.S=0,50mm
	270441	7	Main bearing kit		U.S=0,75mm
	270442	7	Main bearing kit		U.S=1,00mm
	270443	7	Main bearing kit		U.S=1,25mm
23	276758	1	Thrust washer kit		STD D
	276759	1	Thrust washer kit		O.S=0,10mm
	276760	1	Thrust washer kit		O.S=0,20mm
	276761	1	Thrust washer kit		O.S=0,30mm
24	864997	1	Flywheel		
25	420794	1	· Ring gear		
26	467773	14	Washer		
27	478717	14	Hexagon screw		
28	823082	1	Pulley		3-GROOVES, 158mm
29	823083	1	Spacer ring		
30	959804	12	Hexagon screw		
31	941909	12	Spring washer		
32	837476	1	Pulley		4-GROOVES, 182mm
33	959188	12	Hex. socket screw		
34	941909	12	Spring washer		