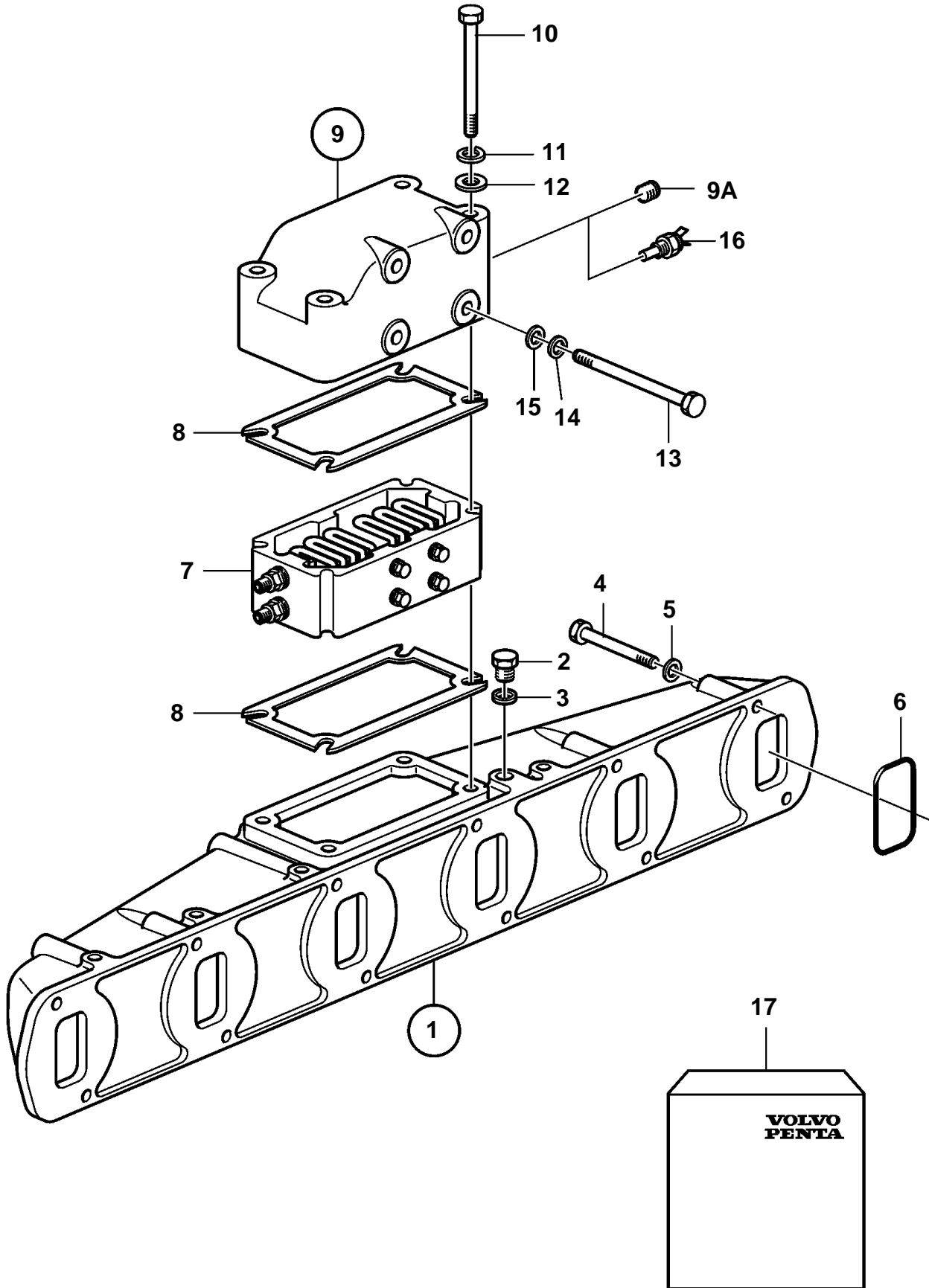


TAMD103A-A



TAMD103A-A

REF	PART NO.	QTY	DESCRIPTION	NOTES
1	8194465	1	Inlet pipe	
2	940113	1	• Hexagon screw	
3	947620	1	• Gasket	
4	955526	6	Hexagon screw	L=55mm
	955533	2	Hexagon screw	L=102mm
	949886	2	Hexagon screw	L=108mm
5	941907	10	Spring washer	
6	469829	6	Sealing ring	
7	470211	1	Intermediate section	
8	424618	2	Gasket	
9	3825256	1	Intermediate housing	
9A	479956	1	• Plug	
10	959795	2	Hexagon screw	L=140mm
	959796	2	Hexagon screw	L=152mm
11	941907	4	Spring washer	
12	191172	4	Washer	
13	959793	4	Hexagon screw	
14	941907	4	Spring washer	
15	191172	4	Washer	
16		1	Thermo monitor, charge air temp-keel cool	SEE GROUP 30
17	876649	1	Gasket kit, induct+exhaust manifold	