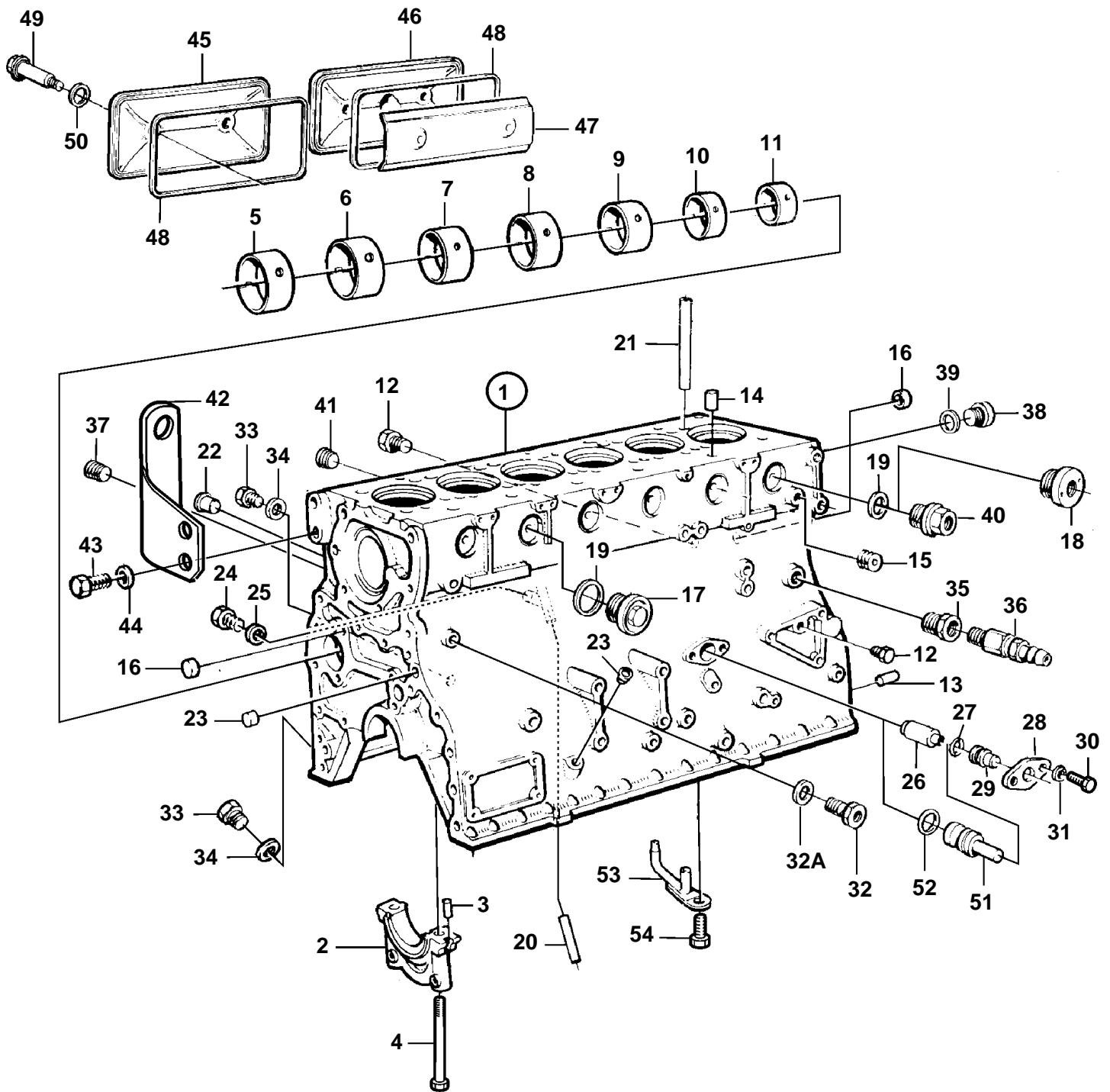


TAMD103A-A, TAMD103A-A AUX



17927

TAMD103A-A, TAMD103A-A AUX

REF	PART NO.	QTY	DESCRIPTION	SEE SEC.	NOTES
1	8194668	1	Cylinder block		
2		7	· Main bearing cap		
3	422426	1	· Pin		
4	422067	14	· Flange screw		
5	422076	1	· Bushing		
6	422077	1	· Bushing		
7	422078	1	· Bushing		
8	422079	1	· Bushing		
9	422080	1	· Bushing		
10	422081	1	· Bushing		
11	422082	1	· Bushing		
12	479979	7	· Plug, 1/8-NPTF		
13	191171	2	· Pin		
14	950543	12	· Pin		
15	952075	1	· Plug, 1/4-NPTF		
16	955083	2	· Cap plug		
17	467367	4	· Plug		
18	821335	1	· Plug		
19	469328	6	· Gasket		
20	468563	1	· Pipe		
21		1	· Pipe		
22	422369	2	· Plug		
23	955082	4	· Cap plug		
24		1	· Plug, 9/16-UNF		
25	969011	1	· Gasket		
26	424801	1	· Pipe, by-pass		
27		1	· O-ring	829	
28		1	· Flange	829	
29		1	· Plug	829	
30		2	· Screw	829	
31		2	· Spring washer	829	
32	864865	1	Plate		
32A	11996	1	Gasket		
33	948187	2	Plug, 3/4-UNF		
34	18818	2	Gasket		
35	479954	1	Nipple		(190130)
36	949918	1	Shut-off cock		
37	479977	1	Plug, 1/2-NPTF		(952077)
38	467366	1	Plug		
39	468463	1	Gasket		
40	823369	1	Plug		
41	952075	1	Plug, 1/4-NPTF		
42		1	Lifting eye		
43		2	Hexagon screw		
44	940280	2	Spring washer		
45	423120	2	Inspection cover		
46	423121	1	Inspection cover, crankcase vent.		
47	422542	1	Splash plate		
48	469823	3	Gasket		
49	422541	6	Screw		
50	471856	6	Sealing ring		
51		1	Valve, piston cooling	829	
52		1	O-ring	829	
53		6	Outlet, piston cooling	829	
54		6	Screw	829	