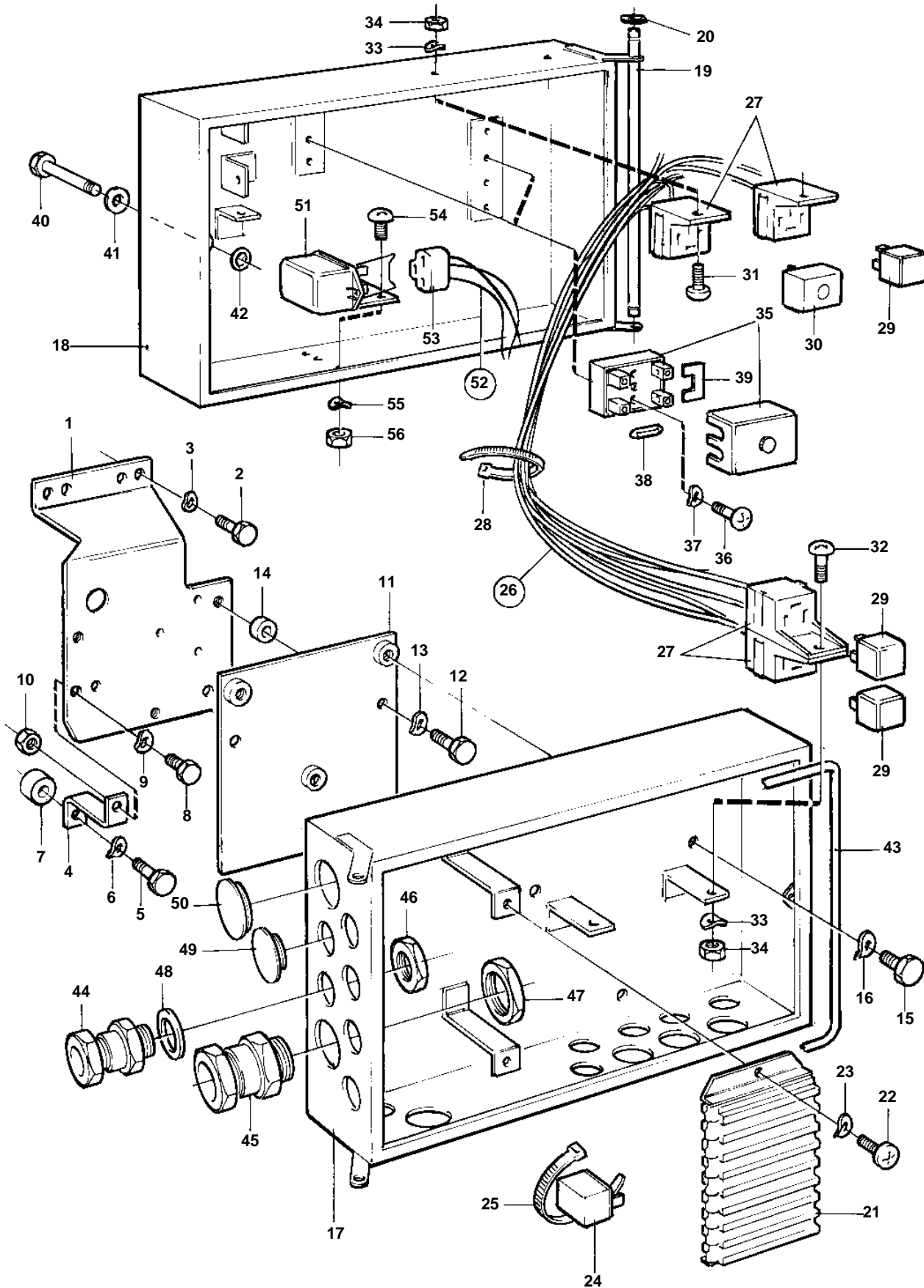


TAMD103A-A, TAMD103A-A AUX



11808

**TAMD103A-A, TAMD103A-A AUX**

REF	PART NO.	QTY	DESCRIPTION	NOTES
1	846819	1	Bracket	
2	940133	2	Hexagon screw	
3	942336	2	Spring washer	
4	846912	1	Bracket	
5	955562	1	Hexagon screw	
6	940280	1	Spring washer	
7	823196	1	Spacer sleeve	
8	955524	1	Hexagon screw	
9	941907	1	Spring washer	
10	955826	1	Hexagon nut	
11		1	Bracket	
12	955297	3	Hexagon screw	
13	941907	3	Spring washer	
14	807183	3	Spacer sleeve	
15	955524	3	Hexagon screw	
16	941907	3	Spring washer	
17		1	Clutch housing	
18		1	Cardboard tube	
19		1	Shaft	
20	951667	2	E-circlip	
21	843095	1	Terminal block	
22	956074	2	Cross recessed screw	
23	941905	2	Spring washer	
24	837722	1	Resistor	
25	948211	X	Cable tie	
26		1	Cable trunk	
27	946556	7	· Housing	
28	948211	X	Cable tie	
29	1504951	6	Relay	
30	842987	1	Voltage monitor	
31	956094	2	Cross recessed screw	
32	956076	2	Cross recessed screw	
33	941905	4	Spring washer	
34	955780	4	Hexagon nut	
35	88578	4	Fuse box	
36	956060	8	Cross recessed screw	
37	941904	8	Spring washer	
38	942545	4	Fuse	
	11433	2	Fuse	
	943905	2	Fuse	
39		2	Bridge connector	
40	955261	1	Hexagon screw	
41	960138	1	Washer	
42	955978	1	O-ring	
43		X	Sealing strip	L=1000mm
44	822327	X	Cable union	
	881192	X	Cable union	
45	881193	X	Cable union	
46	880243	X	Nut	
47	880755	X	Nut	
48	957185	X	Gasket	
49	94081	X	Plug	D=22mm
50	662620	X	Rubber button	D=28mm
51		1	Charge regulator	
52	845976	1	Cable trunk	
53		1	· Housing	
54	956076	2	Cross recessed screw	
55	941905	2	Spring washer	
56	955780	2	Hexagon nut	