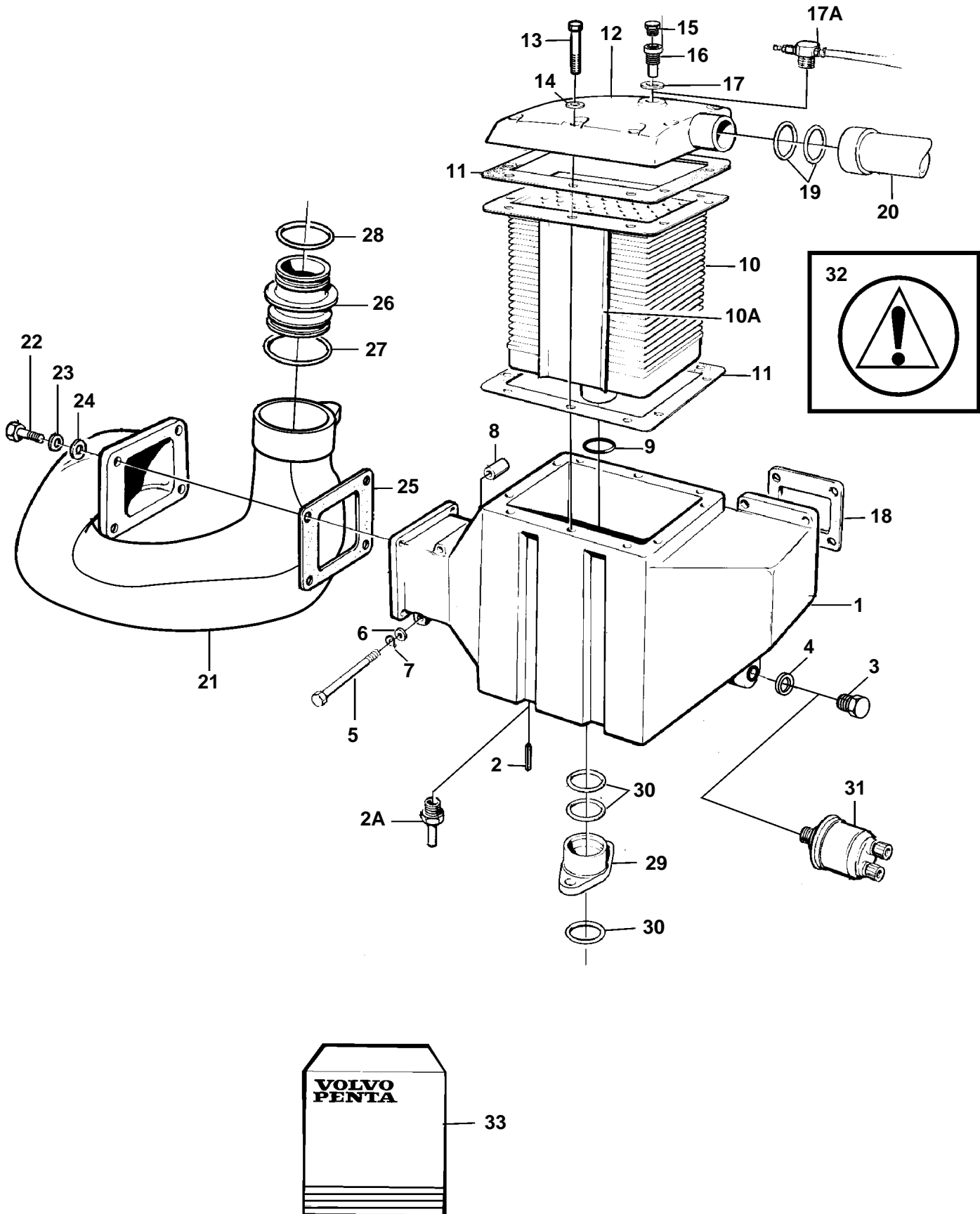


TAMD103A-A



TAMD103A-A

| REF | PART NO. | QTY | DESCRIPTION | SEE SEC. | NOTES |
|-----|----------|-----|------------------------------|----------|---------------------------|
| 1 | | 1 | Housing | | REPLACED BY 876797 |
| | 876797 | 1 | Housing | | |
| 2 | | 1 | · Spring pin | | FOR 842392 |
| 2A | 943513 | 1 | · Nipple | | FOR 876797 |
| 3 | 960632 | 1 | Plug | | |
| 4 | 947624 | 1 | Gasket | | |
| 5 | 959794 | 2 | Hexagon screw | | L=127mm |
| 6 | 941907 | 2 | Spring washer | | |
| 7 | 191172 | 2 | Washer | | |
| 8 | 843028 | 2 | Spacer sleeve | | |
| 9 | 1664473 | 1 | O-ring | | |
| 10 | 866622 | 1 | Insert | | CLASSIFIED |
| 10A | 849147 | 1 | Sealing plate | | |
| 11 | 3827399 | 2 | Gasket | | |
| 12 | 843590 | 1 | Cardboard tube | | HEAT EX. |
| | | 1 | Cover | | K.C |
| 13 | 959952 | 10 | Hexagon screw | | |
| 14 | 941670 | 10 | Washer | | |
| 15 | 823662 | 1 | Plug | | HEAT EX. |
| 16 | 823661 | 1 | Zinc anode | | HEAT EX. |
| 17 | 836169 | 1 | Gasket | | HEAT EX. |
| 17A | | | Connector | | K.C |
| 18 | 862589 | 1 | Gasket | | |
| 19 | 925092 | 2 | O-ring | | NOT K.C |
| 20 | 3825372 | 1 | Coolant pipe, heat exchanger | | NOT K.C |
| 21 | | 1 | Charge air pipe | | |
| 22 | 956570 | 4 | Hex. socket screw | | |
| 23 | 941907 | 4 | Spring washer | | |
| 24 | 955894 | 4 | Washer | | |
| 25 | 864758 | 1 | Gasket | | |
| 26 | 469510 | 1 | Intermediate pipe, turbo | | |
| 27 | 469508 | 1 | O-ring | | |
| 28 | 864722 | 1 | Sealing ring | | |
| 29 | | | Connector, Oil cooler | 848 | |
| 30 | 925092 | 3 | O-ring | | |
| 31 | | 1 | Pressure sensor, turbo | | SEE GROUP 30 |
| 32 | 3827294 | 1 | Decal | | For hot areas., "WARNING" |
| 33 | 876295 | 1 | Gasket kit, intercooler | | SEE GROUP 99 |