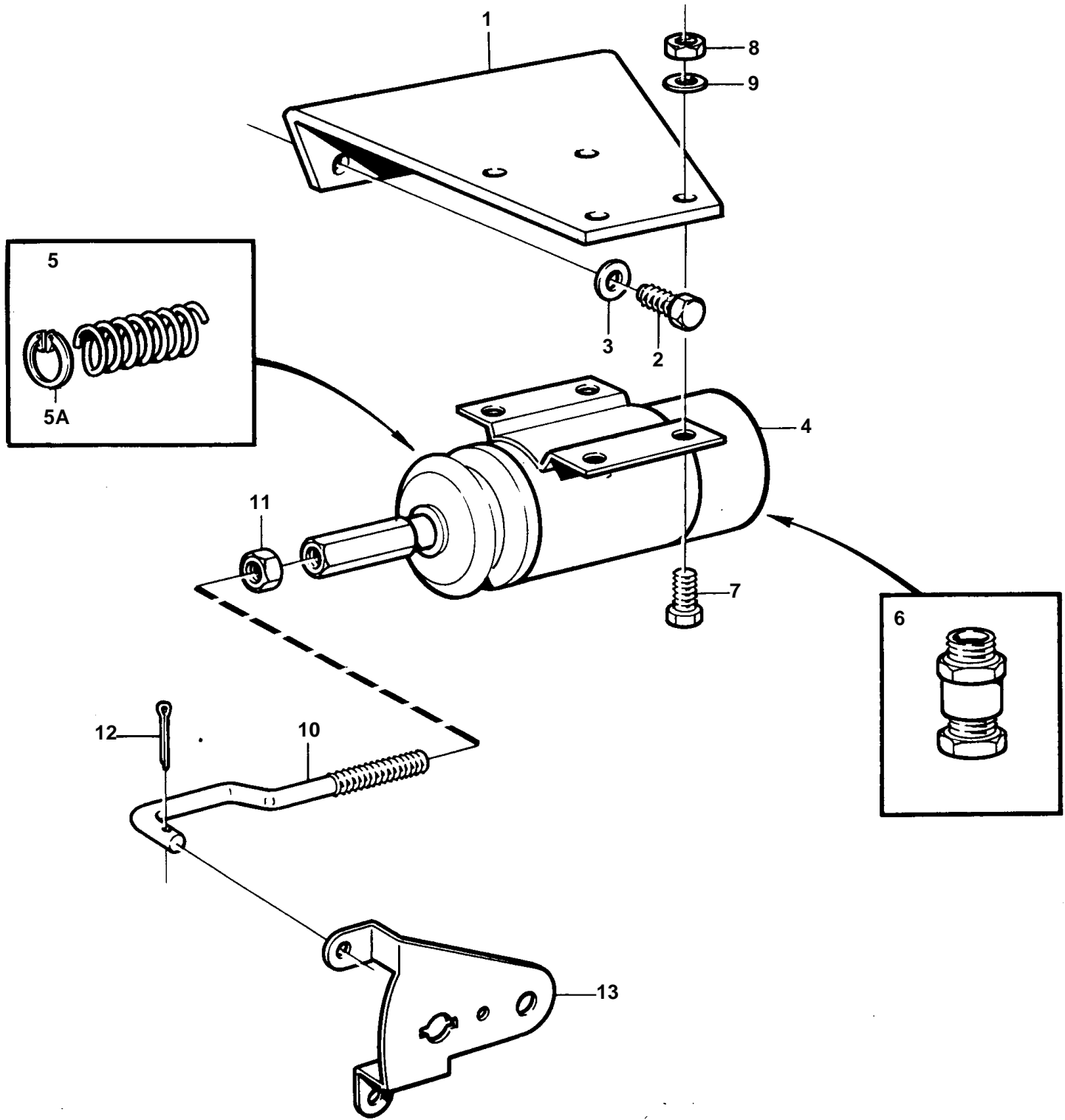


TAMD103A-A, TAMD103A-A AUX



16039

TAMD103A-A, TAMD103A-A AUX

REF	PART NO.	QTY	DESCRIPTION	NOTES
1	863222	1	Bracket	
2	940114	2	Hexagon screw	
3	942336	2	Spring washer	
4	872825	1	Stop solenoid	
5	847009	1	· Return spring	TH = 1,4mm
5A		1	· Snap ring	
6	3888619	1	Cable union	
7	946544	4	Flange screw	
8	945407	4	Flange nut	
9	942336	4	Spring washer	
10	3832362	1	Pull rod	
11	955847	1	Hexagon nut	
12	907824	1	Split pin	
13	848677	1	Intermediate lever	