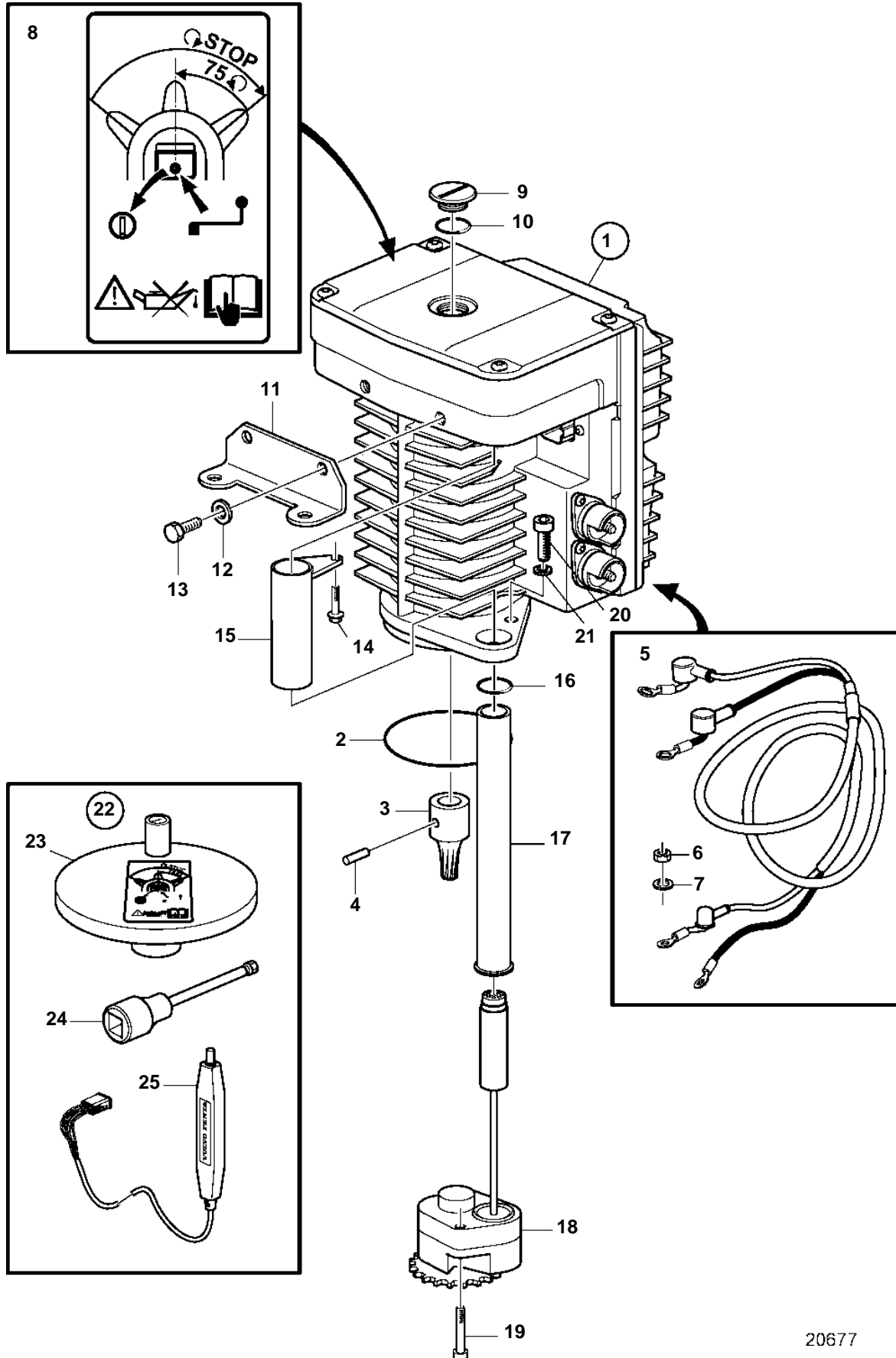


IPS-A



## IPS-A

REF	PART NO.	QTY	DESCRIPTION		NOTES
1	3803837	1	Control unit, exch, not programmed	SO	
	3809285	1	Update	SO	Vodia-programming. This p/n can not be ordered, but will be used for invoicing.
	3809286	1	Update	SO	Warehouse programming. This p/n can not be ordered, but will be used for invoicing.
2	925258	1	• O-ring		
3	3588108	1	• Gear		
4	949796	1	• Spring pin		
5	888553	1	• Cable		
6	983715	2	Nut		
7	941907	2	Spring washer		
8	3809619	1	Decal		
9	3809775	1	Cover		
10	955994	1	O-ring		
11	3818854	1	Bracket		
12	941670	2	Washer		
13	984697	2	Screw		
14	945358	1	Flange screw		
15	3587842	1	Tube		
16	949657	1	O-ring		
17	3862558	1	Tube		
18	3819413	1	Position sensor		
19	959207	2	Screw		
20	946541	2	Screw		
21	941670	2	Washer		
22	3812065	1	Safety catch		
23	3809570	1	• Crank		
24	3863070	1	• Tool		
25	3812541	1	• Breaker		