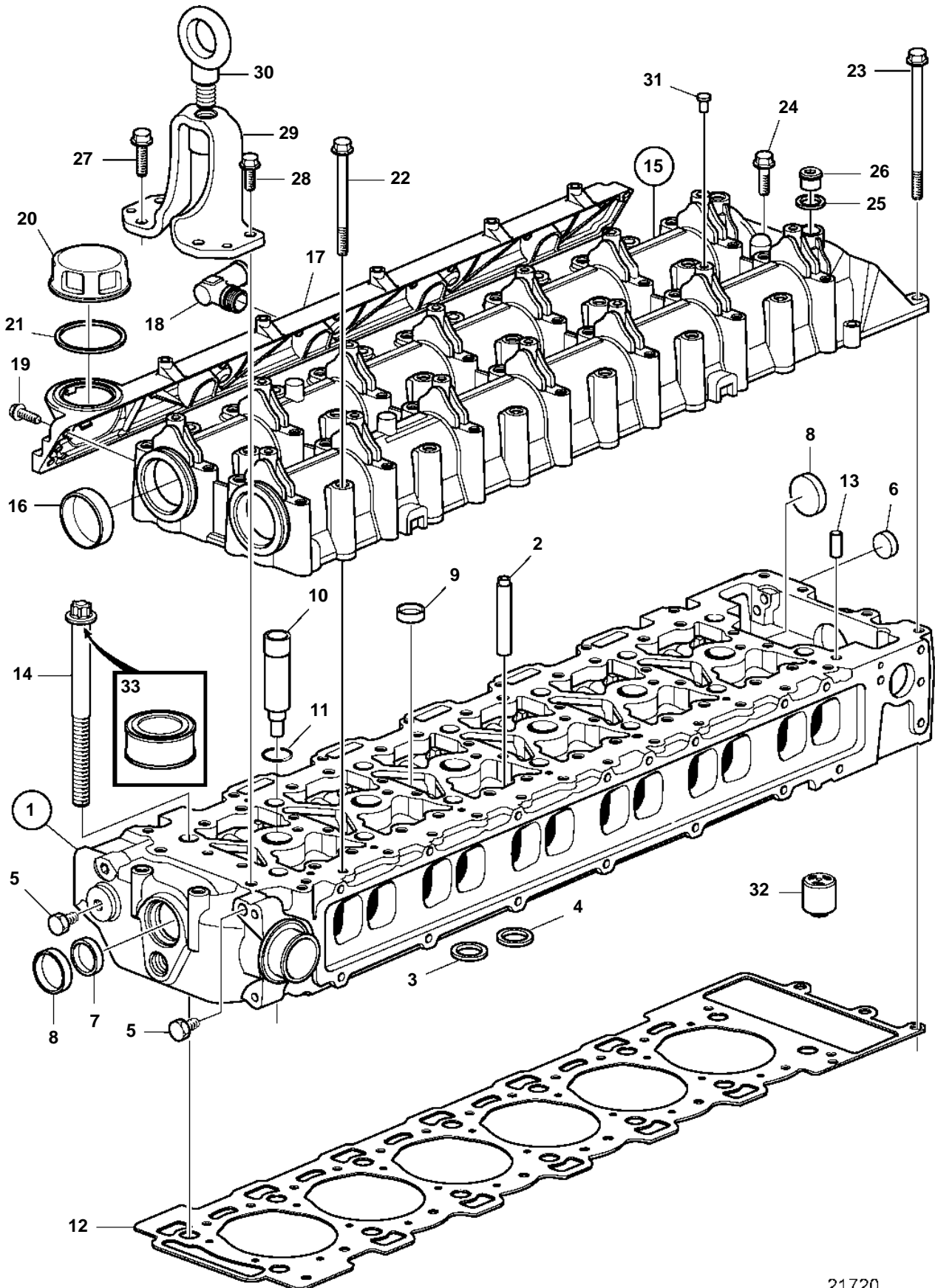


D6-280I-A, D6-280I-B, D6-280A-A, D6-280A-B, D6-310I-A, D6-310I-B, D6-310A-A, D6-310A-B, D6-310D-B, D6-350A-A, D6-350A-B, D6-370I-A, D6-370I-B, D6-370D-B



D6-280I-A, D6-280I-B, D6-280A-A, D6-280A-B, D6-310I-A, D6-310I-B, D6-310A-A, D6-310A-B, D6-310D-B, D6-350A-A, D6-350A-B, D6-370I-A, D6-370I-B, D6-370D-B

REF	PART NO.	QTY	DESCRIPTION	NOTES
1		1	Cylinder head	
2	3580892	24	· Valve guide	
3	3581861	12	· Valve seat, intake	
4	3581862	12	· Valve seat, exhaust	
5	968060	4	· Plug	
6	3588502	2	· Cap plug	
7	8131706	2	· Cap plug	
8	8131707	2	· Cap plug	
9	3583579	11	· Cap plug	
10	889970	6	· Sleeve	
11	3583753	6	· O-ring	
12	3581869	1	Gasket	
13	950564	12	Pin	
14	3581866	14	Screw	
15	3583873	1	Valve cover	
16	8130035	2	· Cap plug	
17		1	· Valve cover	
18	3583959	1	· · Elbow nipple	
19	948356	7	· Screw	
20	1275403	1	Oil filler cap	
21	1275379	1	Gasket	
22	965182	40	Flange screw	
23	968999	3	Screw	
24	945444	1	Flange screw	
25	947622	2	Gasket	
26	966143	2	Plug	
27	946329	2	Flange screw	
28	946671	6	Flange screw	
29		1	Lifting eye	
30	984458	1	Lifting eye	
31	3584061	14	Washer	
32	3582933	2	Valve	
33	3588347	X	Assembly compound	25g