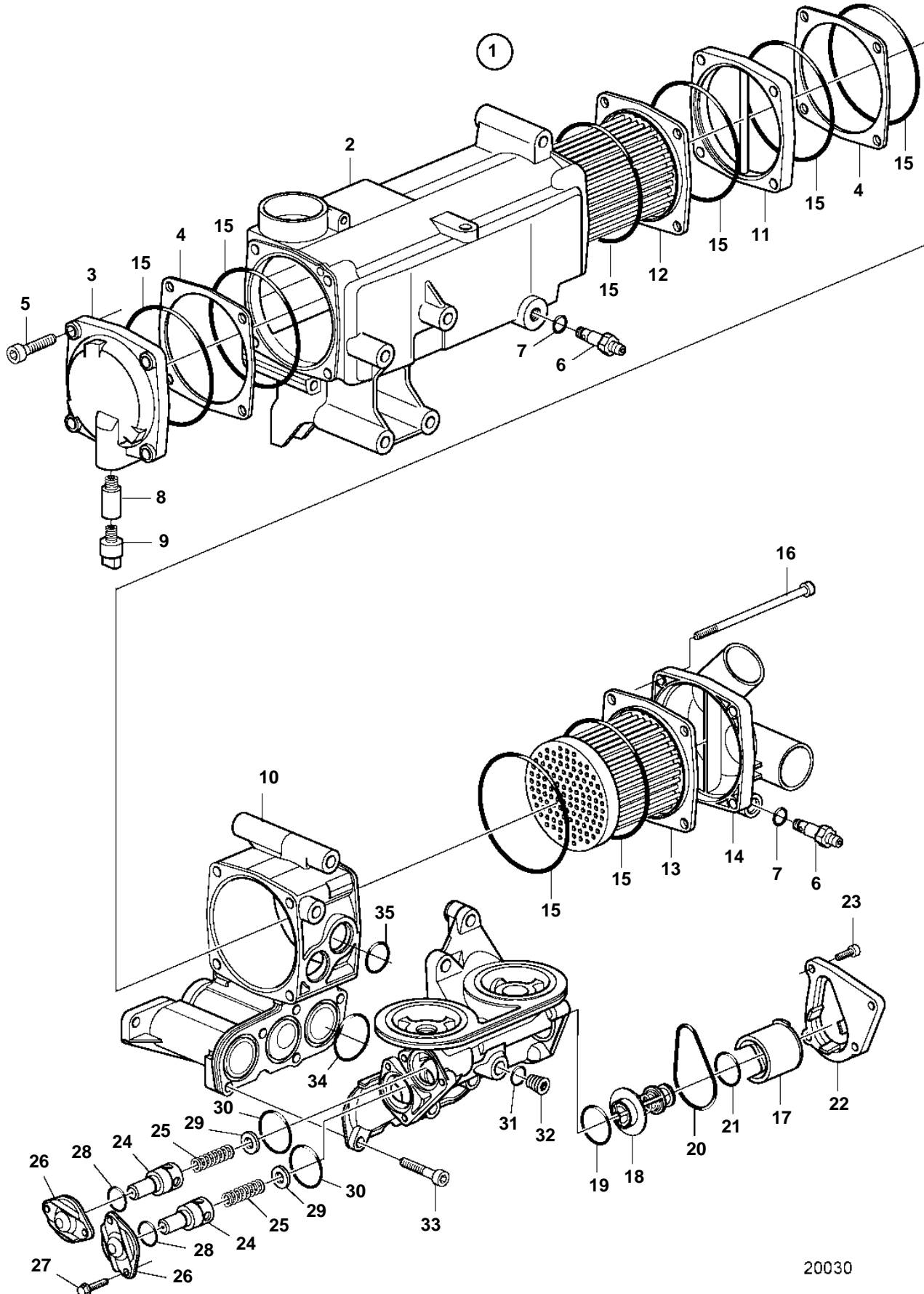


D6-280I-A, D6-280A-A, D6-310I-A, D6-310A-A, D6-350A-A, D6-370I-A



D6-280I-A, D6-280A-A, D6-310I-A, D6-310A-A, D6-350A-A, D6-370I-A

REF	PART NO.	QTY	DESCRIPTION
1	3582297	1	Heat exchanger
2		1	· Housing
3	3583641	1	· Cover
4	3583646	2	· Spacer
5	959223	4	· Screw
6	3583822	2	· Draining nipple
7	3583834	2	· O-ring
8	838929	1	· Zinc anod
9	838928	1	· Plug
10	3583643	1	· Housing
11	3583642	1	· Spacer
12	3583653	1	· Insert
13	3583645	1	· Insert
14	3583640	1	· Cover
15	3583647	8	· O-ring
16	3583649	4	· Screw
17	3583829	1	· Thermostat housing
18	3583827	1	· Thermostat
19	3583830	1	· O-ring
20	3583831	1	· O-ring
21	3583832	1	· O-ring
22	3583828	1	· Cover
23	947542	4	· Screw
24	471706	2	· Reducing valve
25	469332	2	· · Spring
26	471648	2	· Cover
27	946544	4	· Flange screw
28	949659	2	· O-ring
29	469846	2	· Sealing ring
30	3583834	2	· O-ring
31	947282	1	· Gasket
32	960629	1	· Plug
33	959223	5	· Screw
34	866690	3	· O-ring
35	3885174	2	· O-ring