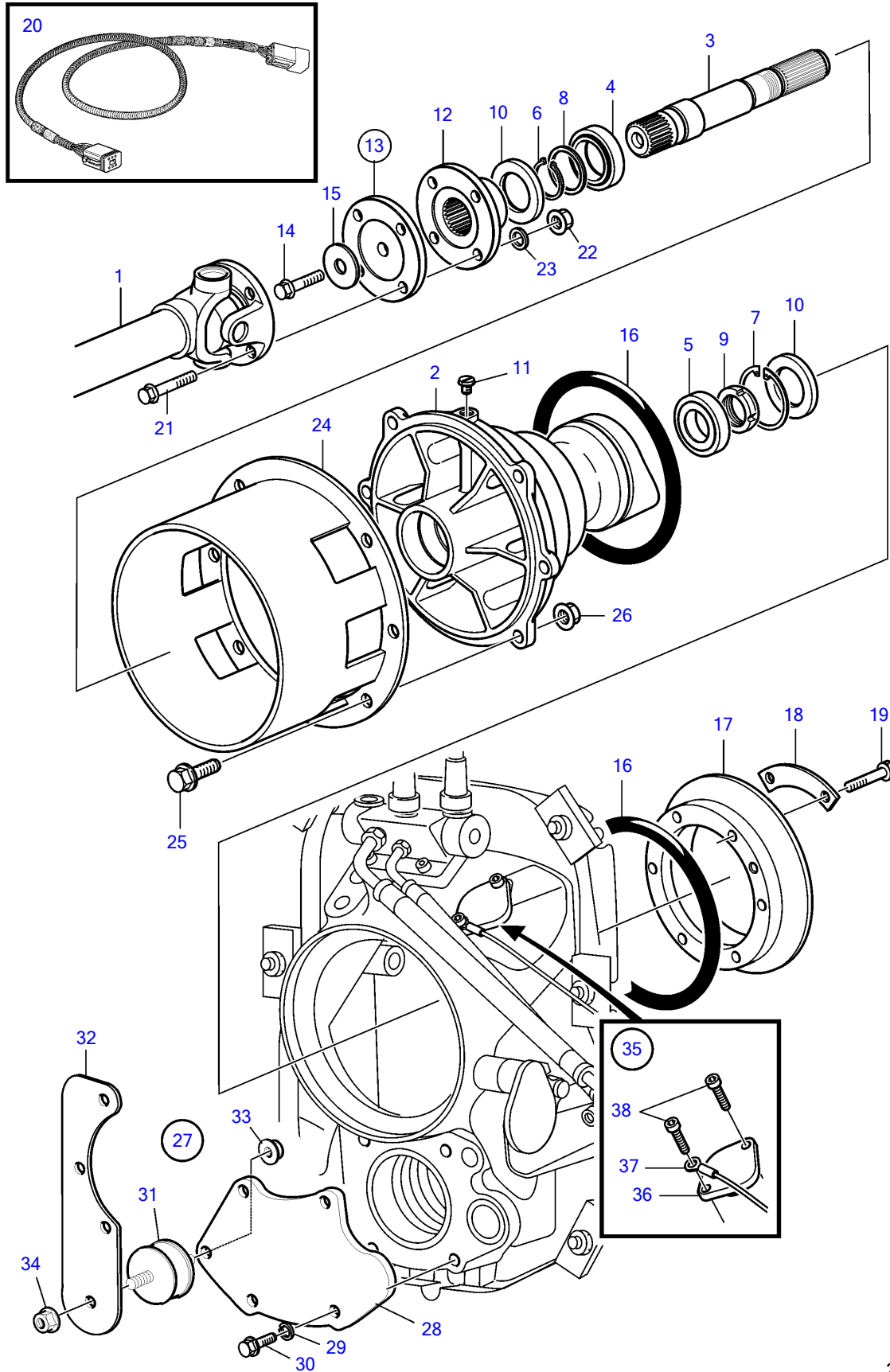


D6-280A-A, D6-280A-B, D6-280A-E, D6-310A-A, D6-310A-B, D6-310A-C, D6-310A-D, D6-330A-B, D6-330A-C, D6-330A-D, D6-350A-A, D6-350A-B, D6-370A-B, D6-370A-C, D6-370A-D, D6-310A-E, D6-330A-E, D6-370A-E, DPH-A, DPH-B, DPR-A, DPR-B



D6-280A-A, D6-280A-B, D6-280A-E, D6-310A-A, D6-310A-B, D6-310A-C, D6-310A-D, D6-330A-B, D6-330A-C, D6-330A-D, D6-350A-A, D6-350A-B, D6-370A-B, D6-370A-C, D6-370A-D, D6-310A-E, D6-330A-E, D6-370A-E, DPH-A, DPH-B, DPR-A, DPR-B

REF	PART NO.	QTY	DESCRIPTION	NOTES
1		1	Jack shaft	Buy locally
2	3807369	1	Intermediate housing	
3	3588815	1	Shaft	
4	183647	1	Roller bearing	
5	11041	1	Roller bearing	
6	914465	1	Snap ring	
7	914533	1	Snap ring	
8	968950	1	Support washer	
9	969072	1	Round nut	
10	958860	2	Sealing ring	
11	804262	1	Plug	
12	838422	1	Clutch flange	
13	3857016	1	Bracket	
14	946472		• Flange screw	
15	947541	1	Washer	
16	858464	2	Rubber ring	
17	873048	1	Tensioning ring	
18	806624	3	Striker plate	
19	191844	6	Hexagon screw	
20	3842733	1	Extension cable\verl	3m
21	945996	4	Hexagon screw	
22	950375	4	Lock nut	
23	949818	4	Washer	
24	3588817	1	Cover	
25	965192	6	Flange screw	
26	977938	6	Flange lock nut	
27	(888216)	1	Kit	Obsolete part
28	3807219	1	• Flange	
29	941908	4	• Spring washer	
30	984914	4	• Hexagon screw	
31	3588654	1	Mounting base	
32	3588656	1	Bracket	
33	977938	1	Flange lock nut	
34	977938	1	Flange lock nut	
35	3807366	1	Kit	
36		1	• Flange	not sold separately
37	3588898	1	Strap	
38	946541	2	Hex. socket screw	

7746210-44-21872

23814

Upd:2012-02-24