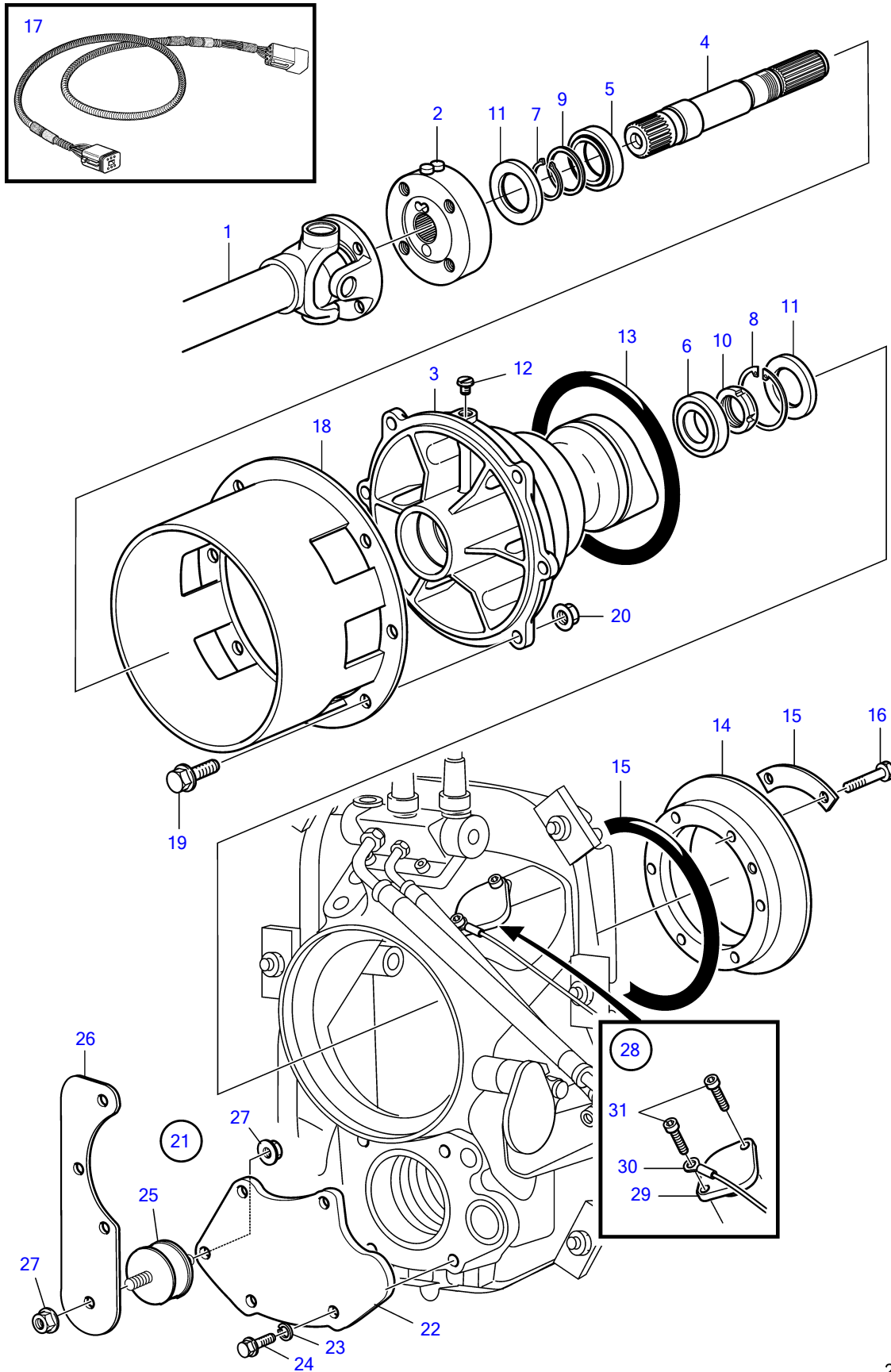


D6-280A-A, D6-280A-B, D6-280A-E, D6-310A-A, D6-310A-B, D6-310A-C, D6-310A-D, D6-330A-B, D6-330A-C, D6-330A-D, D6-350A-A, D6-350A-B, D6-370A-B, D6-370A-C, D6-370A-D, D6-310A-E, D6-330A-E, D6-370A-E, D6-400A-E, DPH-A, DPH-B, DPR-A, DPR-B



D6-280A-A, D6-280A-B, D6-280A-E, D6-310A-A, D6-310A-B, D6-310A-C, D6-310A-D, D6-330A-B, D6-330A-C, D6-330A-D, D6-350A-A, D6-350A-B, D6-370A-B, D6-370A-C, D6-370A-D, D6-310A-E, D6-330A-E, D6-370A-E, D6-400A-E, DPH-A, DPH-B, DPR-A, DPR-B

REF	PART NO.	QTY	DESCRIPTION	SEE SEC.	NOTES
1		1	Jack shaft	37092	
2	3862153	1	Flange	37092	
3	3807369	1	Intermediate housing		
4	21736958	1	Shaft		
5	183647	1	Roller bearing		
6	11041	1	Roller bearing		
7	914465	1	Snap ring		
8	914533	1	Snap ring		
9	968950	1	Support washer		
10	969072	1	Round nut		
11	958860	2	Sealing ring		
12	804262	1	Plug		
13	858464	2	Rubber ring		
14	873048	1	Tensioning ring		
15	806624	3	Striker plate		
16	191844	6	Hexagon screw		
17	3842733	1	Extension cable'verl		3m
18	3588817	1	Cover		
19	965192	6	Flange screw		
20	977938	6	Flange lock nut		
21	(888216)	1	Kit		Obsolete part
22	3807219	1	• Flange		
23	941908	4	• Spring washer		
24	984914	4	• Hexagon screw		
25	3588654	1	Mounting base		
26	3588656	1	Bracket		
27	977938	2	Flange lock nut		
28	3807366	1	Kit		
29		1	• Flange		not sold separately
30	3588898	1	Strap		
31	946541	2	Hex. socket screw		