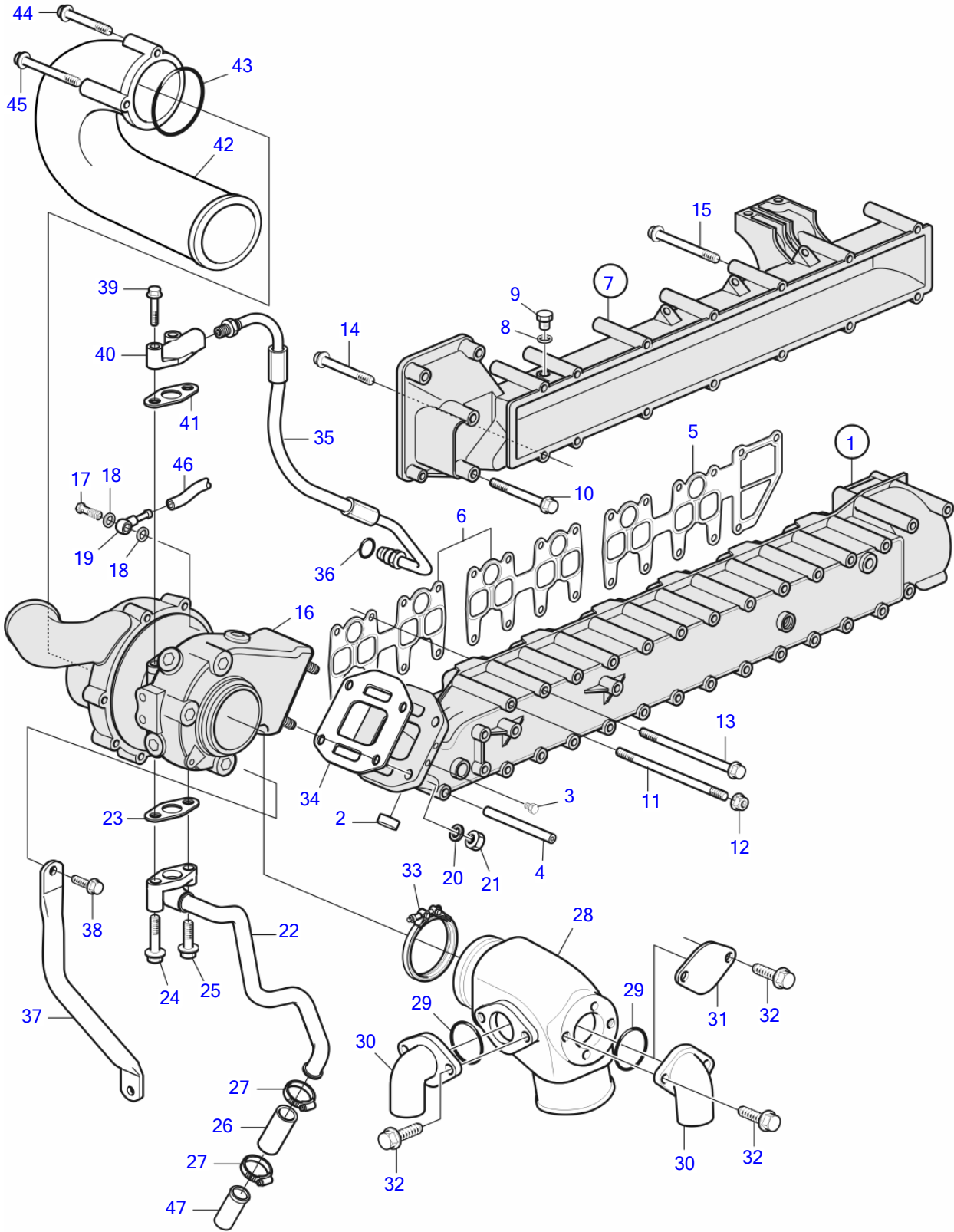


D6-280A-A, D6-280A-B, D6-280A-C, D6-280A-D, D6-280A-E, D6-280I-A, D6-280I-B, D6-280I-C, D6-280I-D, D6-280I-E,
 D6-310I-A, D6-310A-A, D6-310A-B, D6-310A-C, D6-310A-D, D6-310D-B, D6-310D-C, D6-310D-D, D6-310I-B, D6-310I-C,
 D6-310I-D, D6-310A-E, D6-310D-E, D6-310I-E



23967

D6-280A-A, D6-280A-B, D6-280A-C, D6-280A-D, D6-280A-E, D6-280I-A, D6-280I-B, D6-280I-C, D6-280I-D, D6-280I-E, D6-310I-A, D6-310A-A, D6-310A-B, D6-310A-C, D6-310A-D, D6-310D-B, D6-310D-C, D6-310D-D, D6-310I-B, D6-310I-C, D6-310I-D, D6-310A-E, D6-310D-E, D6-310I-E

REF	PART NO.	QTY	DESCRIPTION	NOTES
1	3841203	1	Exhaust manifold	(889111)
2	8131707	1	• Cap plug	Early type, For 889111
3	479979	1	• Plug	
4	3583116	1	• Spring pin	
5	3583336	1	Gasket	
6	3582725	2	Gasket	
7	3808942	1	Inlet pipe	
8	11994	1	• Gasket	
9	966142	1	• Plug	
10	947760	1	Flange screw	
11	948194	6	Stud	
12	945408	6	Flange nut	
13	968999	22	Flange screw	L=130mm
14	965184	13	Flange screw	L=100mm
15	965182	1	Flange screw	L=80mm
16	3802152	1	Turbocharger	
			• parts not sold separately	
17	969299	1	Hollow screw	
18	11994	2	Gasket	
19	858750	1	Banjo nipple	
20	955895	4	Washer	
21	940183	4	Hexagon nut	
22	3582967	1	Oil return pipe	
23	860105	1	Gasket	
24	948217	1	Flange screw	
25	945444	1	Flange screw	
26	466328	1	Rubber hose	
27	943474	2	Hose clamp	
28	3583902	1	Exhaust riser	
29	969415	2	O-ring	
30	21450768	2	Connector	
31	3584006	1	Cover	
32	947542	4	Flange screw	
33	3807212	1	Clamp	
34	3583335	1	Gasket	
35	3582968	1	Oil pressure pipe	Replaced by 40005392
	40005392	1	Oil pressure pipe	
36	976971	1	O-ring	
37	3583094	1	Support	
38	946471	1	Flange screw	
39	947760	2	Flange screw	
40	8192268	1	Flange	
41	420641	1	Gasket	
42	3812945	1	Connector	(888445)
43	949841	1	O-ring	
44	965180	1	Flange screw	
45	968842	2	Flange screw	
46	942700	X	Hose	
47	3583622	1	Hose connection	