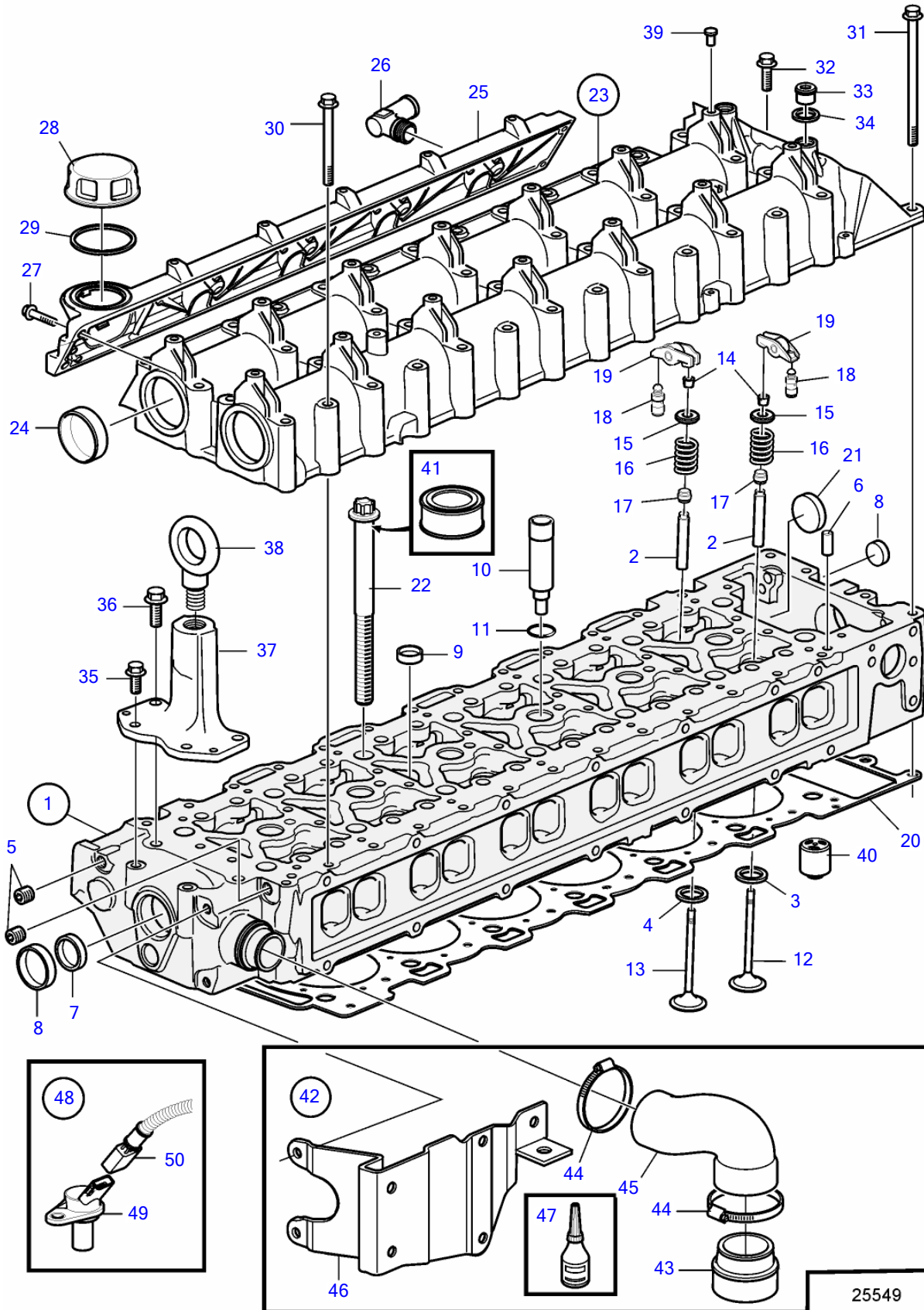


D6-400A-E, D6-435D-A, D6-435D-D, D6-435D-C, D6-435D-E, D6-435I-A, D6-435I-C, D6-435I-D, D6-435I-E



D6-400A-E, D6-435D-A, D6-435D-D, D6-435D-C, D6-435D-E, D6-435I-A, D6-435I-C, D6-435I-D, D6-435I-E

REF	PART NO.	QTY	DESCRIPTION	NOTES
1	3801258	1	Cylinder head	(3803916)
2	3580892	24	• Valve guide	
3	3581861	12	• Valve seat, intake	
4	3581862	12	• Valve seat, exhaust	
5	990828	4	• Plug	
6	3588502	2	• Expansion plug	
7	24426721	2	• Expansion plug	
8	8131707	2	• Cap plug	
9	3583579	11	• Expansion plug	
10	889970	6	• Sleeve	
11	3583753	6	• O-ring	
12	3884010	12	• Inlet valve	
13	3884015	12	• Exhaust valve	
14	861703	48	• Valve cotter	
15	3889240	24	• Valve spring washer	
16	3581889	24	• Valve spring	
17	877072	24	Valve stem seal	
18	3581894	24	Rocker arm	
19	3581893	24	Cam	
20	3581869	1	Cylinder head gasket	
21	950564	2	Pin	
22	3581866	14	Screw	SN-2006022154
	21384459	14	Six point screw	SN2006022155-
23	3842801	1	Valve cover	SN-2006022154, Replaced by 1pc valve cover 40005656 and 1pc camshaft kit 21138559.
	40005656	1	Valve cover	SN2006022155-
24	8130035	2	• Expansion plug	
25		1	• Valve cover	
26	3583959	1	• • Elbow nipple	
27	948356	7	• Flange screw	
28	1275403	1	Oil filler cap	
29	1275379	1	Gasket	
30	965182	40	Flange screw	
31	968999	3	Flange screw	
32	945444	1	Flange screw	
33	947622	2	Gasket	
34	966143	2	Plug	
35	946329	2	Flange screw	
36	946173	2	Flange screw	
37	3888143	1	Lifting bracket	
38	984458	1	Lifting eye	
39	3584061	14	Washer	
40	3582933	2	Valve	
41	3588347	X	Lubricant	25G
42	21181057	1	Connector kit	For new cylinder head in combination with heat exchanger without pipe connection.
43	3808092	1	• Pipe connection	
44	943479	2	• Hose clamp	
45	3593996	1	• Hose	
46	21368510	1	• Bracket	
47	1161370	1	• Adhesive	50ml
48	21138559	1	Sensor kit	For flywheel housing with SN2006022155- mounted on engine with SN-2006022154
49	20513343	1	• Sensor	
50	21138239	1	• Wiring harness	

7746210-21-35113

25549

Upd:2012-02-24