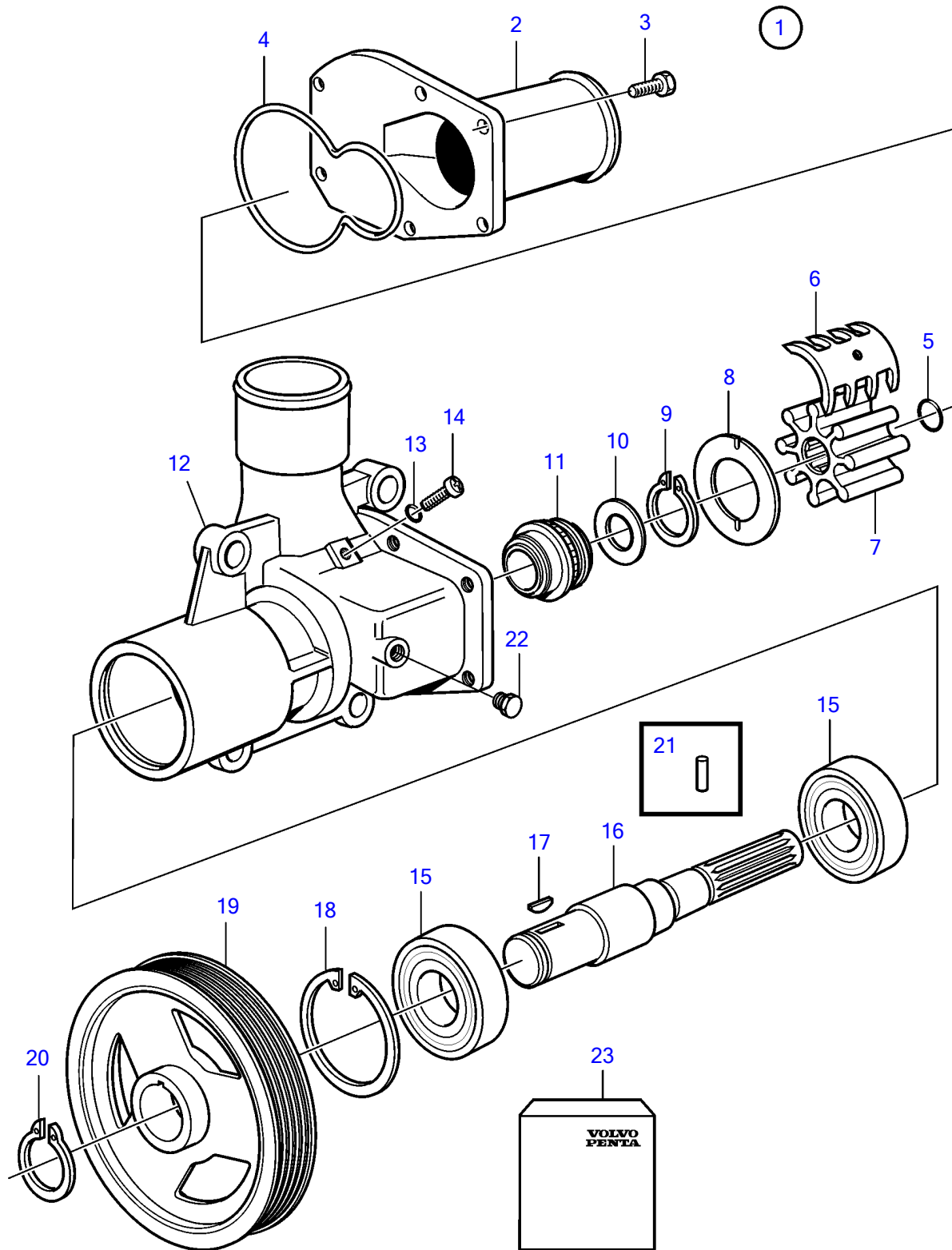


D6-280A-A, D6-280A-B, D6-280A-C, D6-280A-D, D6-280I-A, D6-280I-B, D6-280I-C, D6-280I-D, D6-280I-E, D6-310I-A, D6-310A-A, D6-310A-B, D6-310A-C, D6-310A-D, D6-310D-B, D6-310D-C, D6-310D-D, D6-310I-B, D6-310I-C, D6-310I-D, D6-330A-B, D6-330A-C, D6-330A-D, D6-330D-B, D6-330D-C, D6-330D-D, D6-330I-B, D6-330I-C, D6-330I-D, D6-350A-A, D6-350A-B, D6-370A-B, D6-370A-C, D6-370A-D, D6-370D-B, D6-370D-C, D6-370D-D, D6-370I-A, D6-370I-B, D6-370I-C, D6-370I-D, D6-310I-E, D6-330I-E, D6-370I-E, D6-435D-A, D6-435D-D, D6-435D-C, D6-435I-A, D6-435I-C, D6-435I-D, D6-435I-E



D6-280A-A, D6-280A-B, D6-280A-C, D6-280A-D, D6-280I-A, D6-280I-B, D6-280I-C, D6-280I-D, D6-280I-E, D6-310I-A, D6-310A-A, D6-310A-B, D6-310A-C, D6-310A-D, D6-310D-B, D6-310D-C, D6-310D-D, D6-310I-B, D6-310I-C, D6-310I-D, D6-330A-B, D6-330A-C, D6-330A-D, D6-330D-B, D6-330D-C, D6-330D-D, D6-330I-B, D6-330I-C, D6-330I-D, D6-350A-A, D6-350A-B, D6-370A-B, D6-370A-C, D6-370A-D, D6-370D-B, D6-370D-C, D6-370D-D, D6-370I-A, D6-370I-B, D6-370I-C, D6-370I-D, D6-310I-E, D6-330I-E, D6-370I-E, D6-435D-A, D6-435D-D, D6-435D-C, D6-435I-A, D6-435I-C, D6-435I-D, D6-435I-E

REF	PART NO.	QTY	DESCRIPTION	SEE SEC.	NOTES
1	21380890	1	Sea water pump		(3589907)
2	3583600	1	• Cardboard tube		
3	3583604	6	• Hexagon screw		Included in kit.
4	3583611	1	• O-ring		
5	804781	1	• Sealing washer		Included in kit.
6	3589908	1	• Cam		
7	(3819486)	1	• Impeller		Obsolete part
8	807589	1	• Wear washer		
9	809444	1	• Lock ring		
10	888388	1	• Washer		
11	3583609	1	• Sealing		
12	21409059	1	• Pump housing		
13	3583614	1	• O-ring		
14	3583605	1	• Hexagon screw		
15	181648	2	• Ball bearing		(3583610), (20450749)
16	21419000	1	• Kit	7044	
17	888386	1	• Key		
18	825735	1	• Lock ring		
19	3583599	1	• Pulley		
20	804709	1	• Lock ring		
21	888387	1	• Pin		
22	981749	1	• Plug		
23	3593573	1	Impeller kit	7044	