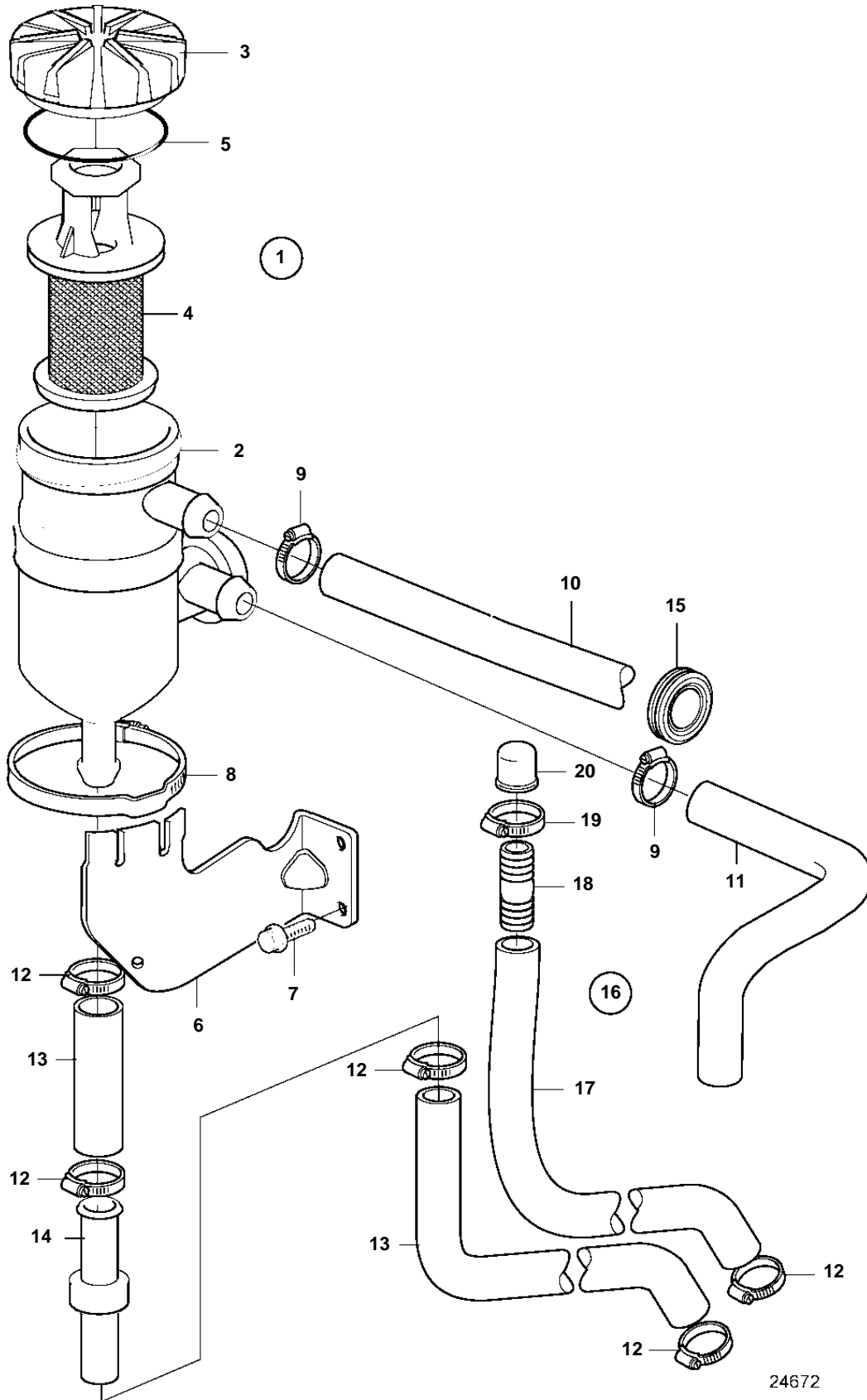


D4-180I-B, D4-180I-C, D4-180I-D, D4-210A-A, D4-210A-B, D4-210I-A, D4-210I-B, D4-225A-B, D4-225A-C, D4-225A-D, D4-225I-B, D4-225I-C, D4-225I-D, D4-260A-A, D4-260A-B, D4-260A-C, D4-260A-D, D4-260D-B, D4-260D-C, D4-260D-D, D4-260I-A, D4-260I-B, D4-260I-C, D4-260I-D, D4-300A-A, D4-300A-C, D4-300A-D, D4-300D-A, D4-300D-C, D4-300D-D, D4-300I-A, D4-300I-C, D4-300I-D



24672

D4-180I-B, D4-180I-C, D4-180I-D, D4-210A-A, D4-210A-B, D4-210I-A, D4-210I-B, D4-225A-B, D4-225A-C, D4-225A-D, D4-225I-B, D4-225I-C, D4-225I-D, D4-260A-A, D4-260A-B, D4-260A-C, D4-260A-D, D4-260D-B, D4-260D-C, D4-260D-D, D4-260I-A, D4-260I-B, D4-260I-C, D4-260I-D, D4-300A-A, D4-300A-C, D4-300A-D, D4-300D-A, D4-300D-C, D4-300D-D, D4-300I-A, D4-300I-C, D4-300I-D

REF	PART NO.	QTY	DESCRIPTION	NOTES
1	3584144	1	Filter	
2		1	• Reservoir	
3		1	• Lock	
4	3584145	1	• Insert	
5	3584461	1	• • O-ring	
6	3586115	1	Bracket	
7	946440	2	Flange screw	
8	3586117	1	Hose clamp	
9	943474	2	Hose clamp	
10	3588926	1	Hose	
11	3584139	1	Hose	
12	943471	5	Hose clamp	
13	3849236	1	Hose assembly	Order also non retur valve and hose clamp., (3885542)
14	3887102	1	Check valve	
15	984951	1	Grommet	
16	3849236	1	Hose assembly	
17	3885542	1	• Hose	
18	991127	1	• Hose nipple	
19		1	• Hose clamp	
20	842235	1	• Cardboard tube	