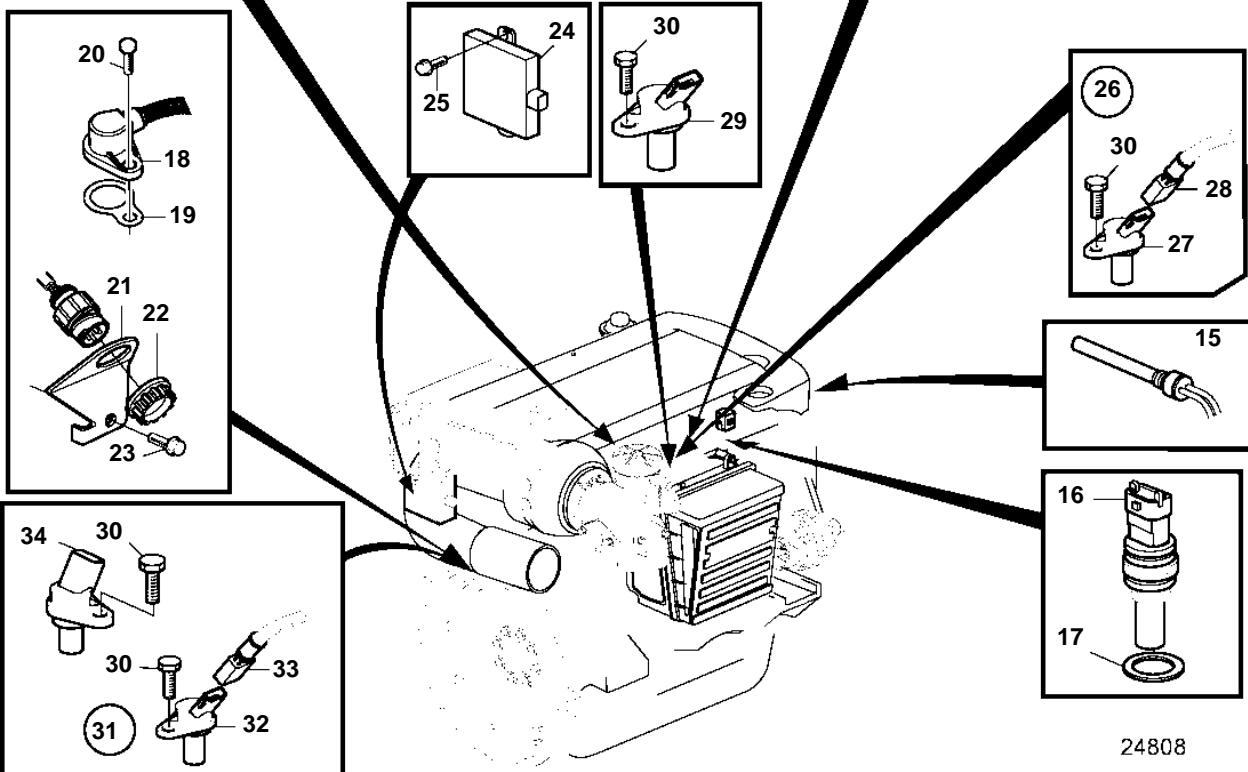
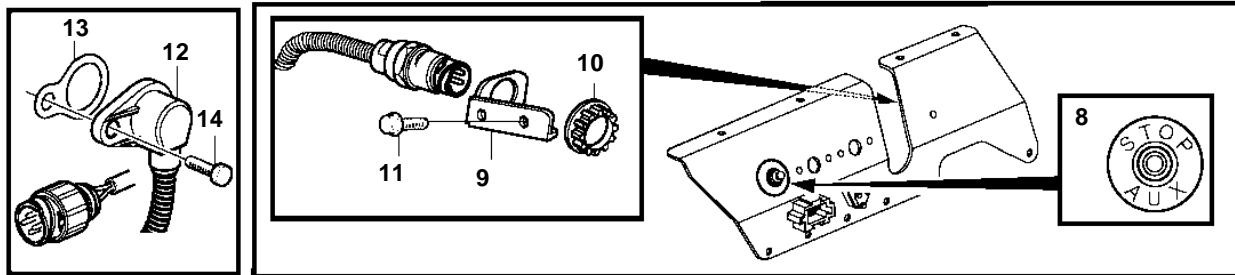
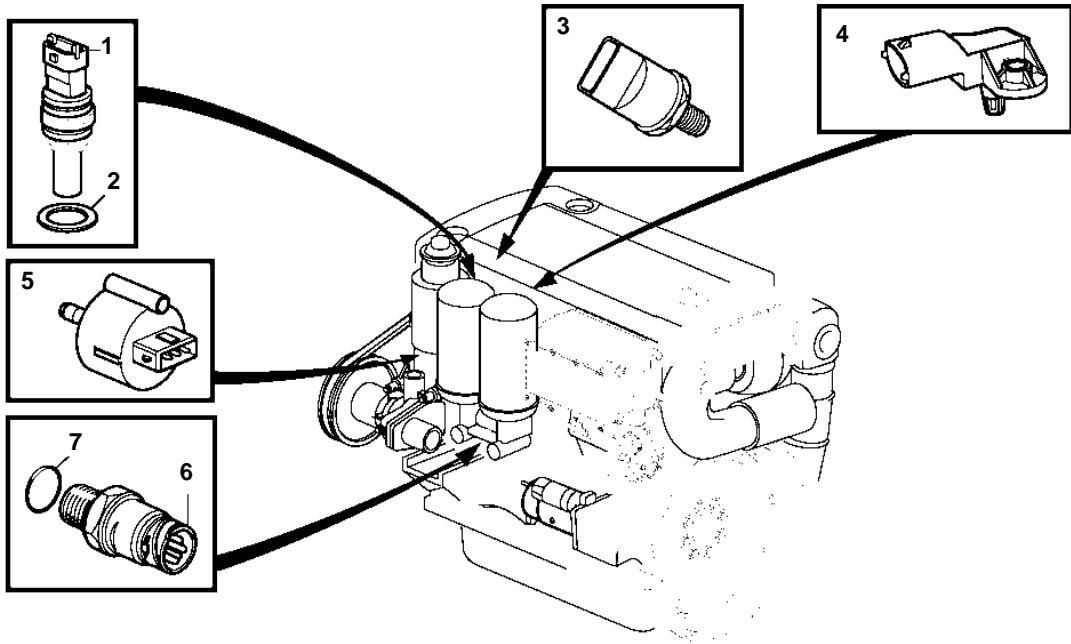


D4-180I-B, D4-180I-C, D4-180I-D, D4-210I-A, D4-210I-B, D4-225I-B, D4-225I-C, D4-225I-D, D4-260I-A, D4-260I-B, D4-260I-C, D4-260I-D, D4-300I-A, D4-300I-C, D4-300I-D



24808

**D4-180I-B, D4-180I-C, D4-180I-D, D4-210I-A, D4-210I-B, D4-225I-B, D4-225I-C, D4-225I-D, D4-260I-A, D4-260I-B, D4-260I-C, D4-260I-D, D4-300I-A, D4-300I-C, D4-300I-D**

REF	PART NO.	QTY	DESCRIPTION	NOTES
1	1624368	1	Sensor, fuel	
2	11996	1	Gasket	
3	3587927	1	Pressure sensor	RAIL
4	21385453	1	Pressure sensor, charge pressure/temperature	
5	3808616	1	Sensor	Installation instruction included.
6	20886108	1	Pressure sensor, oil pressure difference	Replaced by 20898038
	20898038	1	Pressure sensor	
7	968559	1	· O-ring	
8	828584	1	Toggle switch	
9	3583480	1	Bracket	SN-2004017198
10	3963413	1	Ring	SN-2004017198
11	968476	2	Flange screw	SN-2004017198
12	3944124	1	Sensor, camshaft/flywheel	SN-2004017198
13	1677894	1	Shim	SN-2004017198
14	963684	1	Hex. socket screw	SN-2004017198
15	3547710	1	Level guard	
16	1624368	1	Sensor	
17	11996	1	Gasket	
18	3944124	1	Sensor, camshaft/flywheel	SN-2004017198
19	1677894	1	Shim	SN-2004017198
20	963684	1	Hex. socket screw	SN-2004017198
21	3584044	1	Bracket	SN-2004017198
22	3963413	1	Ring	SN-2004017198
23	946934	1	Flange screw	SN-2004017198
24	3842462	1	Voltage converter	
25	946501	3	Flange screw	
26	21138559	1	Sensor kit	For valve cover with SN2004017199- mounted on engine with SN-2004017198
27	20513343	1	· Sensor	
28	21138239	1	· Wiring harness	
29	20513343	1	Sensor	SN2004017199-
30	946544	2	Flange screw	
31	21109100	1	Sensor kit	For flywheel housing with SN2004017199- mounted on engine with SN-2004017198
32	20513343	1	· Sensor	
33	21138237	1	· Wiring harness	
34	20513343	1	Sensor	SN2004017199-