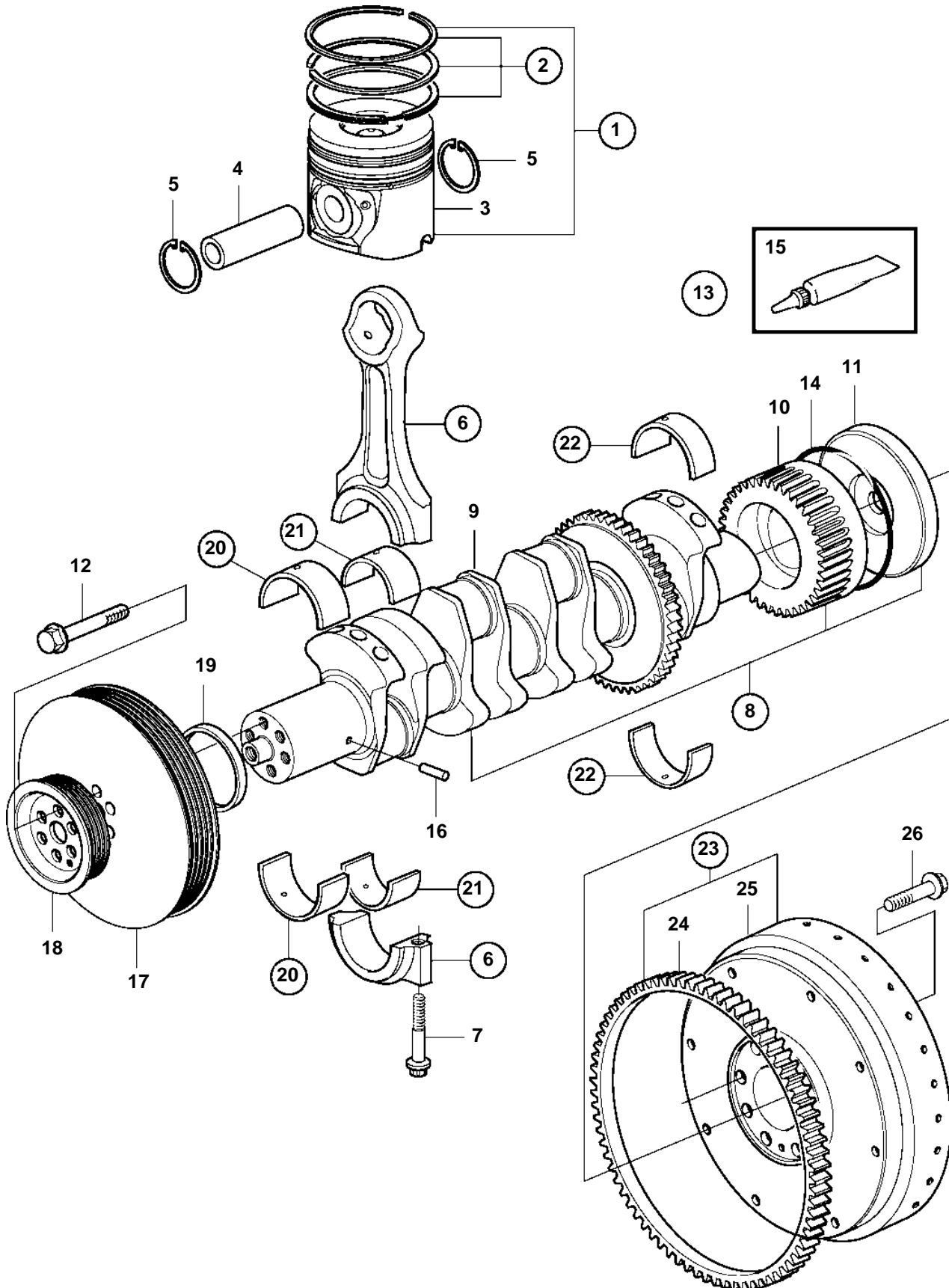


D4-180I-B, D4-210I-A, D4-210I-B, D4-210A-A, D4-210A-B, D4-225I-B, D4-225A-B, D4-260I-A, D4-260I-B, D4-260A-A, D4-260A-B



D4-180I-B, D4-210I-A, D4-210I-B, D4-210A-A, D4-210A-B, D4-225I-B, D4-225A-B, D4-260I-A, D4-260I-B, D4-260A-A, D4-260A-B

REF	PART NO.	QTY	DESCRIPTION	NOTES
1	3586860	4	Piston kit	STD
		4	Piston kit	OVER SIZE
2	3586857	4	· Piston ring kit	STD
		4	· Piston ring kit	OVER SIZE
3		4	· Piston	STD
		4	· Piston	OVER SIZE
4	3581912	4	· Piston pin	
5	982437	8	· Lock ring	
6	3581902	4	Connecting rod	
7	3581905	8	· Screw	
8		1	Crankshaft	
9	3818267	1	· Crankshaft	
10	3583264	1	· Gear	
11	3582741	1	· Washer	
12	465825	6	· Screw	
13	3586960	1	Sealing ring kit	
14		1	· Sealing ring	
15	1161687	1	· Grease	(1161447)
16	950566	1	Pin	
17	3582686	1	Vibration damper	
18	3582687	1	Pulley	
19	3582748	1	Sealing ring	
20	3586871	4	Main bearing kit	STD
	3586873	4	Main bearing kit	O.S=0,25mm
	3586875	4	Main bearing kit	O.S=0,50mm
	3586876	4	Main bearing kit	O.S=0,75mm
21	3586883	4	Big end bearing kit	STD
	3586886	4	Big end bearing kit	O.S=0,25mm
	3586888	4	Big end bearing kit	O.S=0,50mm
	3586889	4	Big end bearing kit	O.S=0,75mm
22	3586877	1	Flange bearing	STD
	3586879	1	Flange bearing	O.S=0,25mm
	3586880	1	Flange bearing	O.S=0,50mm
	3586881	1	Flange bearing	O.S=0,75mm
23	3581913	1	Flywheel	
24	829462	1	· Gear ring	
25		1	· Flywheel	
26	465825	8	Screw	