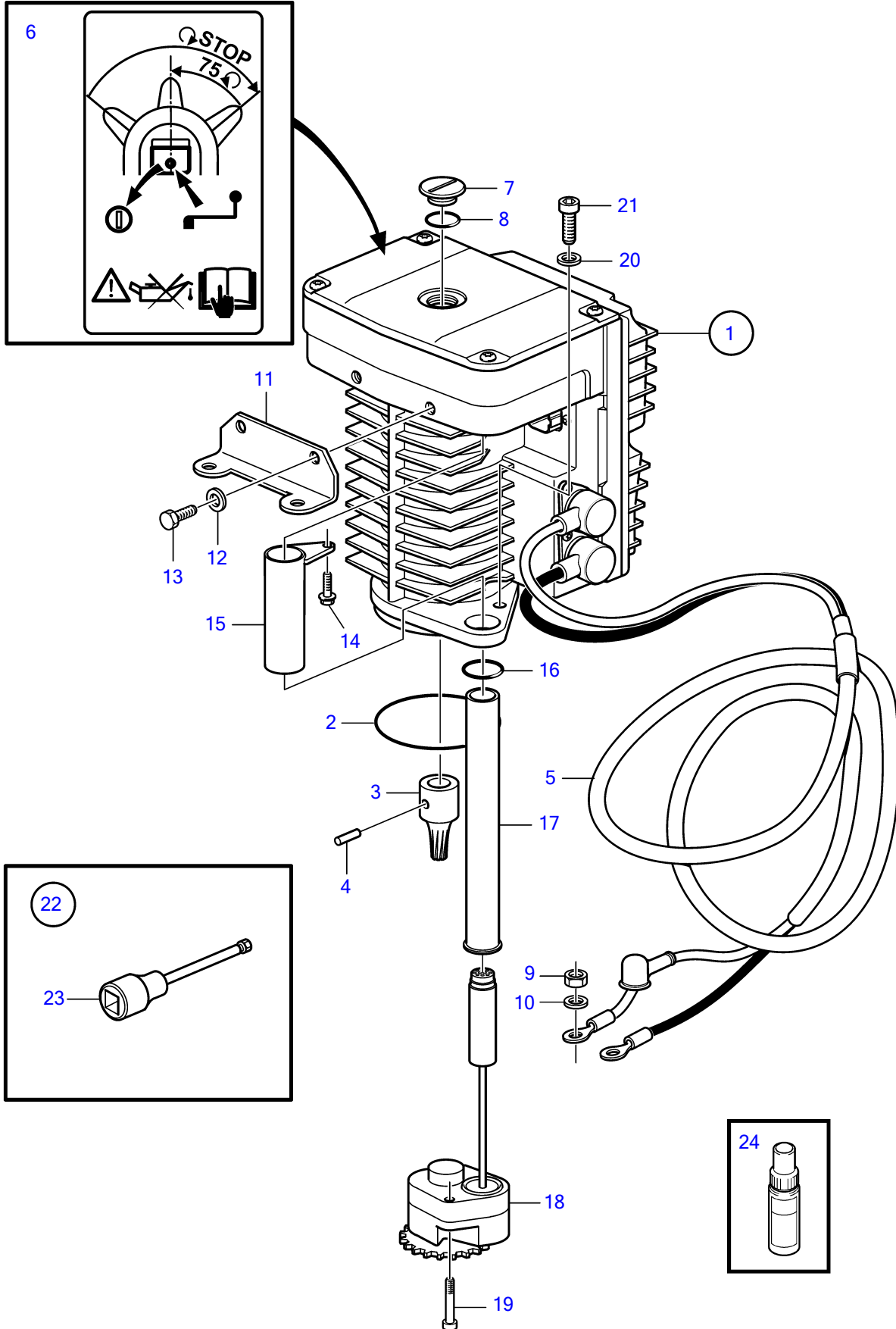


D4-260D-B, D4-260D-C, D4-300D-A, D4-300D-C



D4-260D-B, D4-260D-C, D4-300D-A, D4-300D-C

| REF | PART NO. | QTY | DESCRIPTION | NOTES |
|-----|----------|-----|-------------------|---|
| 1 | 3801113 | 1 | Servo unit | EVC-C, SN-3194005811 |
| | 3801290 | 1 | Servo unit | EVC-C, SN3194005812- |
| | 3809285 | 1 | Software | Vodia-programming. This p/n can not be ordered, but will be used for invoicing. |
| | 3809286 | 1 | Software | Warehouse programming. This p/n can not be ordered, but will be used for invoicing. |
| 2 | 925258 | 1 | • O-ring | |
| 3 | 3588108 | 1 | • Sun gear | |
| 4 | 949796 | 1 | • Spring pin | |
| 5 | 888553 | 1 | • Cable | Std |
| | 3807917 | 1 | • Cable | Jackshaft |
| 6 | 3809619 | 1 | • Decal | |
| 7 | 3809775 | 1 | • Closure | |
| 8 | 955994 | 1 | • O-ring | |
| 9 | 983715 | 2 | Hexagon nut | |
| 10 | 941907 | 2 | Spring washer | |
| 11 | 21161108 | 1 | Bracket | |
| 12 | 941670 | 2 | Washer | |
| 13 | 984697 | 2 | Hexagon screw | |
| 14 | 945358 | 1 | Flange screw | |
| 15 | 3587842 | 1 | Tube | |
| 16 | 949657 | 1 | O-ring | |
| 17 | 3862558 | 1 | Tube | |
| 18 | 3594642 | 1 | Sensor kit | SN-3194005811 |
| | 21147917 | 1 | Sensor kit, kit | SN3194005812- |
| 19 | 959207 | 2 | Hex. socket screw | |
| 20 | 946541 | 2 | Hex. socket screw | |
| 21 | 941670 | 2 | Washer | |
| 22 | 3812065 | 1 | Kit | |
| 23 | 3863070 | 1 | • Tool | |
| 24 | 9434520 | 1 | Locking fluid | Use for area between resolver and SUS. |

7746200-44-21953

26177

Upd:2012-02-23