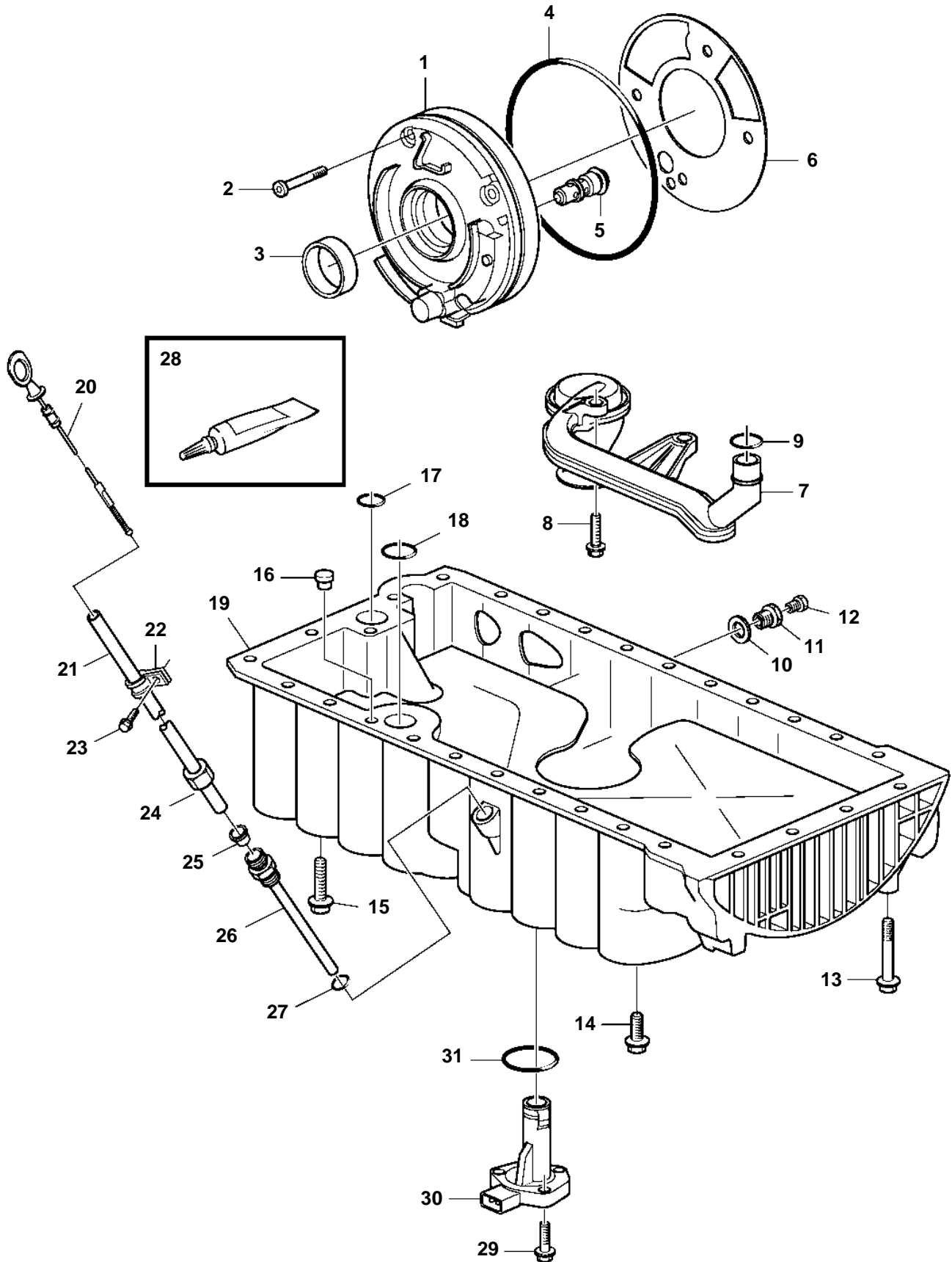


D3-110i-B, D3-130i-B, D3-160i-B, D3-190i-B, D3-130A-B, D3-160A-B, D3-190A-B



D3-110i-B, D3-130i-B, D3-160i-B, D3-190i-B, D3-130A-B, D3-160A-B, D3-190A-B

REF	PART NO.	QTY	DESCRIPTION	NOTES
1	30637377	1	Oil pump	
2	980880	4	6 point socket screw	
3	6842273	1	Sealing ring	
4	981204	1	O-ring	
5	30677893	1	Overflow valve	
6	1275404	1	Gasket	
7	30650552	1	Suction line	
8	968158	2	Screw	
9	30637867	1	O-ring	
10	11998	1	Gasket	For servo pump.
11	3588129	1	Plug	For servo pump.
12		1	Screw	For servo pump.
13	980092	4	Flange screw	
14	975880	22	Flange screw	
15	985322	3	Screw	
16	463963	1	Valve	
17	8642560	1	Sealing ring	
18	8631513	1	Sealing ring	
19	8670460	1	Oil pan	
20	3883471	1	Oil dipstick	
21	3883490	1	Tube	
22	952627	1	Clamp	
23	946544	1	Flange screw	
24	956984	1	Nut	
25	980782	1	Ferrule	
26	3588212	1	Suction pipe	
27	958226	1	O-ring	
28	1161059	1	Sealant	50ml
29	947542	3	Screw	
30	30750939	1	Sender	
31	8675328	1	O-ring	