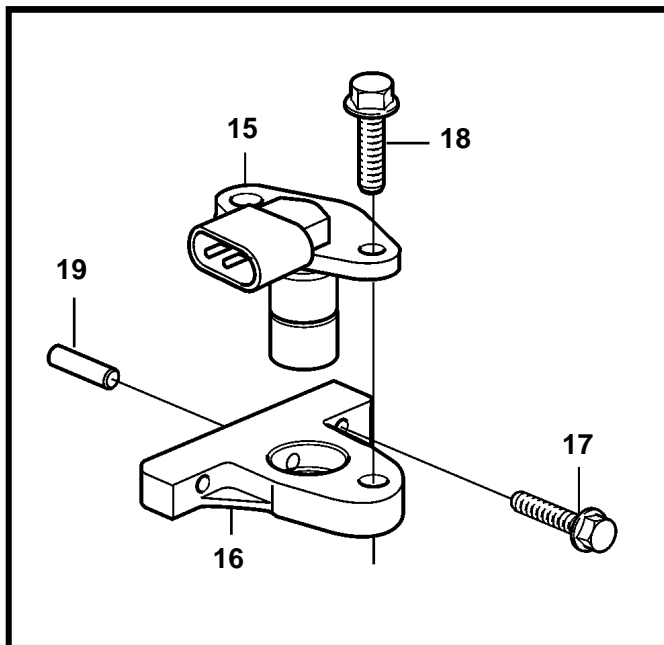
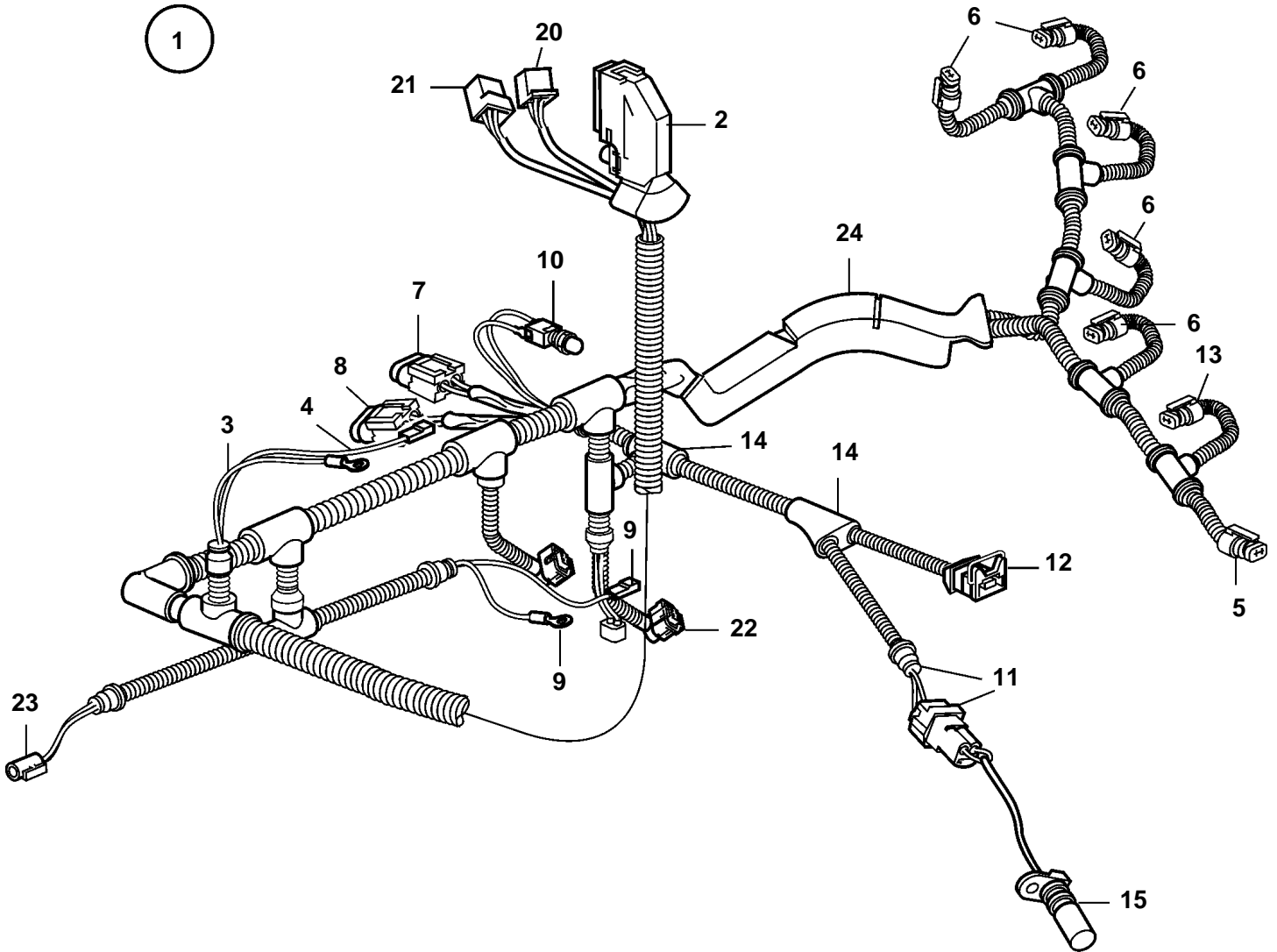


D3-110i-A, D3-130i-A, D3-160i-A, D3-130A-A, D3-160A-A



20042

D3-110i-A, D3-130i-A, D3-160i-A, D3-130A-A, D3-160A-A

REF	PART NO.	QTY	DESCRIPTION	NOTES
1	881978	1	Wiring harness	
2	9187012	1	· Clip	
3	970798	1	· Cable terminal, alternator	
4	949597	1	Housing, alternator	
	973121	1	Cable terminal, alternator	
5	888693	1	Adapter, fuel pump	Included in Cable Harness 881978
6	888690	5	Adapter, fuel injector	Included in Cable Harness 881978
7		1	Fuse holder	
	874220	1	Cable terminal	
		1	Seal	
	873854	1	Sealing sleeve	
	978999	1	Fuse	
8		1	Fuse holder	
	874220	1	Cable terminal	
		1	Seal	
	873854	1	Sealing sleeve	
	978999	1	Fuse	
9	881484	1	Cable terminal, starter motor	
	970798	1	Cable terminal, starter motor	Included in Cable Harness 881978
10	873959	1	Breaker, emergency stop	
	828586	1	Nut, emergency stop	
11	9168792	1	Housing, rpm	Included in Cable Harness 881978
	11039397	1	Rubber sleeve, rpm	
12	976256	1	Switch	
	8142100	1	Adapter	
13	8622455	1	Receptacle housing	For Camshaft RPM
	874652	1	Adapter	
14		1	Coupling	
15	1275599	1	Impulse sensor	
16	1275789	1	Bracket	
17	975880	2	Flange screw	
18	946544	1	Flange screw	
19	950562	1	Pin	
20	1212905	1	Insulator	Included in Cable Harness 881978
21	948856	1	Receptacle housing	
22	874529	1	Adapter, charge air pressure/temp	
	9456341	1	Receptacle housing, charge air pressure/temp	Included in Cable Harness 881978
23	1307035	1	Insulator, oil pressure	
		1	Cable terminaloil pressure	
24	9452506	1	Sleeve	