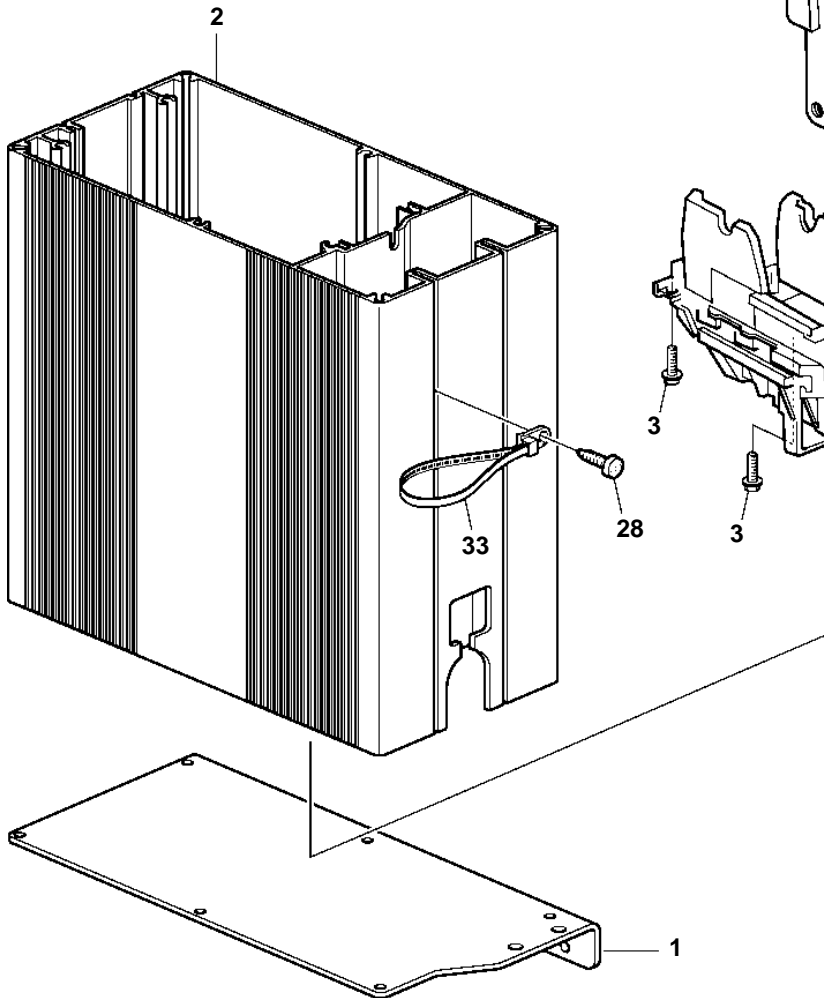
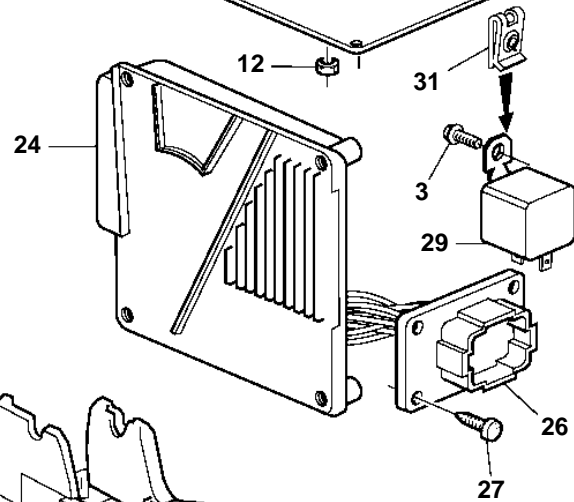
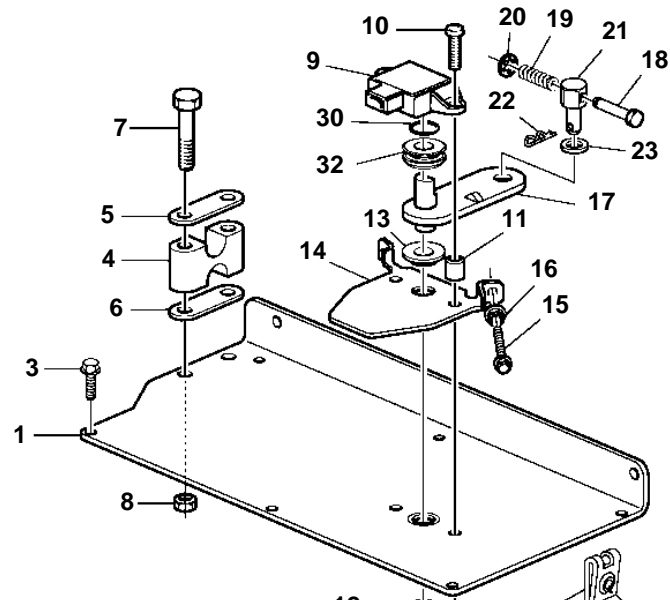
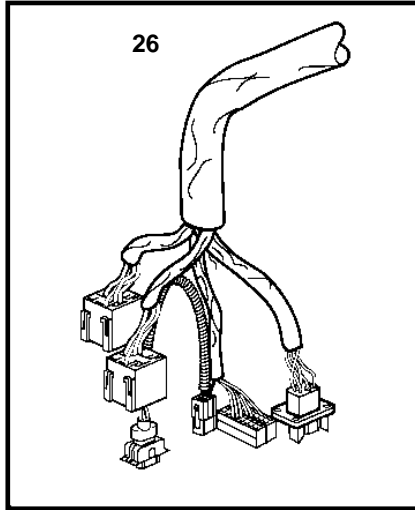


D3-110i-A, D3-130i-A, D3-160i-A, D3-130A-A, D3-160A-A, D3-110i-B, D3-130i-B, D3-160i-B, D3-190i-B, D3-130A-B, D3-160A-B, D3-190A-B



20467

D3-110i-A, D3-130i-A, D3-160i-A, D3-130A-A, D3-160A-A, D3-110i-B, D3-130i-B, D3-160i-B, D3-190i-B, D3-130A-B, D3-160A-B, D3-190A-B

REF	PART NO.	QTY	DESCRIPTION
1	3807834	2	Cover
2	3807556	1	Housing
3	947493	17	Flange screw
4	872074	1	Retainer
5	819068	1	Washer
6	872076	1	Washer
7	969439	2	Screw
8	949874	2	Lock nut
9	1336385	1	Potentiometer
10	969558	2	Screw
11	3825525	2	Spacer
12	963103	2	Lock nut
13	3829680	1	Bushing
14	3807844	1	Bracket
15	947542	2	Screw
16	945407	2	Flange nut
17		1	Lever
18	814083	1	Adjusting nut
19	814086	1	Spring
20	968766	1	Retainer
21	814085	1	Cube
22	664822	1	Lock spring
23	955893	1	Washer
24	3586930	1	Control unit, eecu
25	3807843	1	Bracket
26	3807365	1	Cable kit
27	969456	4	6 point socket screw
28	969456	1	6 point socket screw
29	873740	2	Relay
30	943342	1	Sealing ring
31	191391	2	Spring nut
32	3829681	1	Washer
33	949666	1	Strip clamp