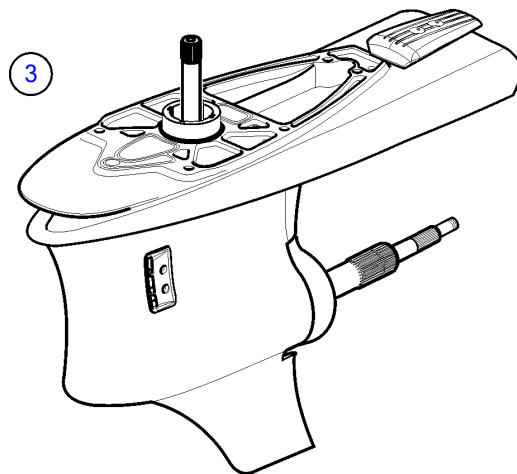
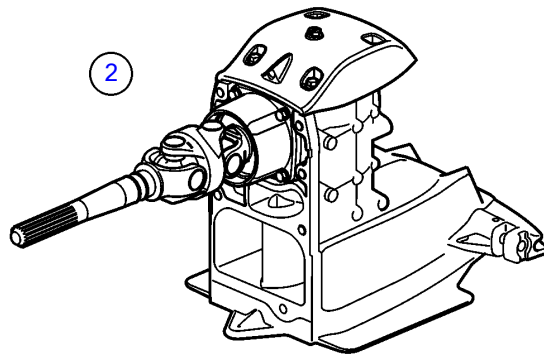
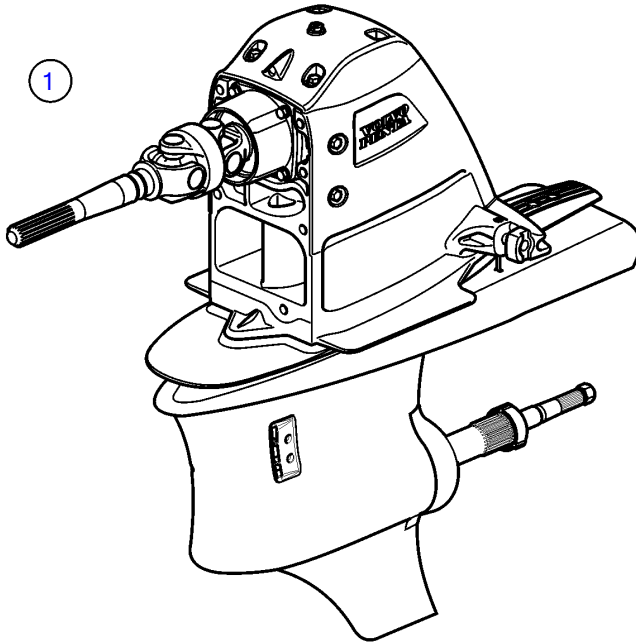


D3-140A-D, D3-140A-E, D3-140A-F, D3-170A-D, D3-170A-E, D3-170A-F, D3-200A-D, D3-200A-E, D3-200A-F, D3-220A-D, D3-220A-E, D3-220A-F



22892

D3-140A-D, D3-140A-E, D3-140A-F, D3-170A-D, D3-170A-E, D3-170A-F, D3-200A-D, D3-200A-E, D3-200A-F, D3-220A-D, D3-220A-E, D3-220A-F

REF	PART NO.	QTY	DESCRIPTION	NOTES
1	3883606	1	Drive unit, DPS-A	1.68:1
	3883607	1	Drive unit, DPS-A	1.78:1
	3883609	1	Drive unit, DPS-A	1.95:1
	3801211	1	Aquamatic drive, exc, DPS-A, exch	1.95:1
	3883610	1	Drive unit, DPS-A	2.32:1
	3883624	1	Drive unit, DPS-A	2.11:1
	3801212	1	Aquamatic drive, exc, DPS-A, exch	2.11:1
	3869463	1	Drive, DPS-A	2.14:1
2	3842918	1	• Upper gear, complete	SX 1.43, 1.51, 1.60, 1.66, DPS 1.68, 1.78, 1.95
	3801213	1	• Upper gear, exch, complete, exch	SX 1.43, 1.51, 1.60, 1.66, DPS 1.68, 1.78, 1.95
	3842919	1	• Upper gear, complete	SX 1.79, 1.89, 1.97, 2.18, DPS 2.11, 2.32
	3801214	1	• Upper gear, exch, complete, exch	SX 1.79, 1.89, 1.97, 2.18, DPS 2.11, 2.32
	21591372	1	• Upper gear, complete	DPS-A, 2.14:1
3	3842843	1	• Gear housing, complete	1.68:1
	3842842	1	• Gear housing, complete	2.11:1 & 1.78:1
	3801217	1	• Lower gear, exch, complete, exch	2.11:1 & 1.78:1
	3842844	1	• Gear housing, complete	2.32:1, 2.14:1, 1.95:1
	3801218	1	• Lower gear, exch, complete, exch	2.32:1, 2.14:1, 1.95:1