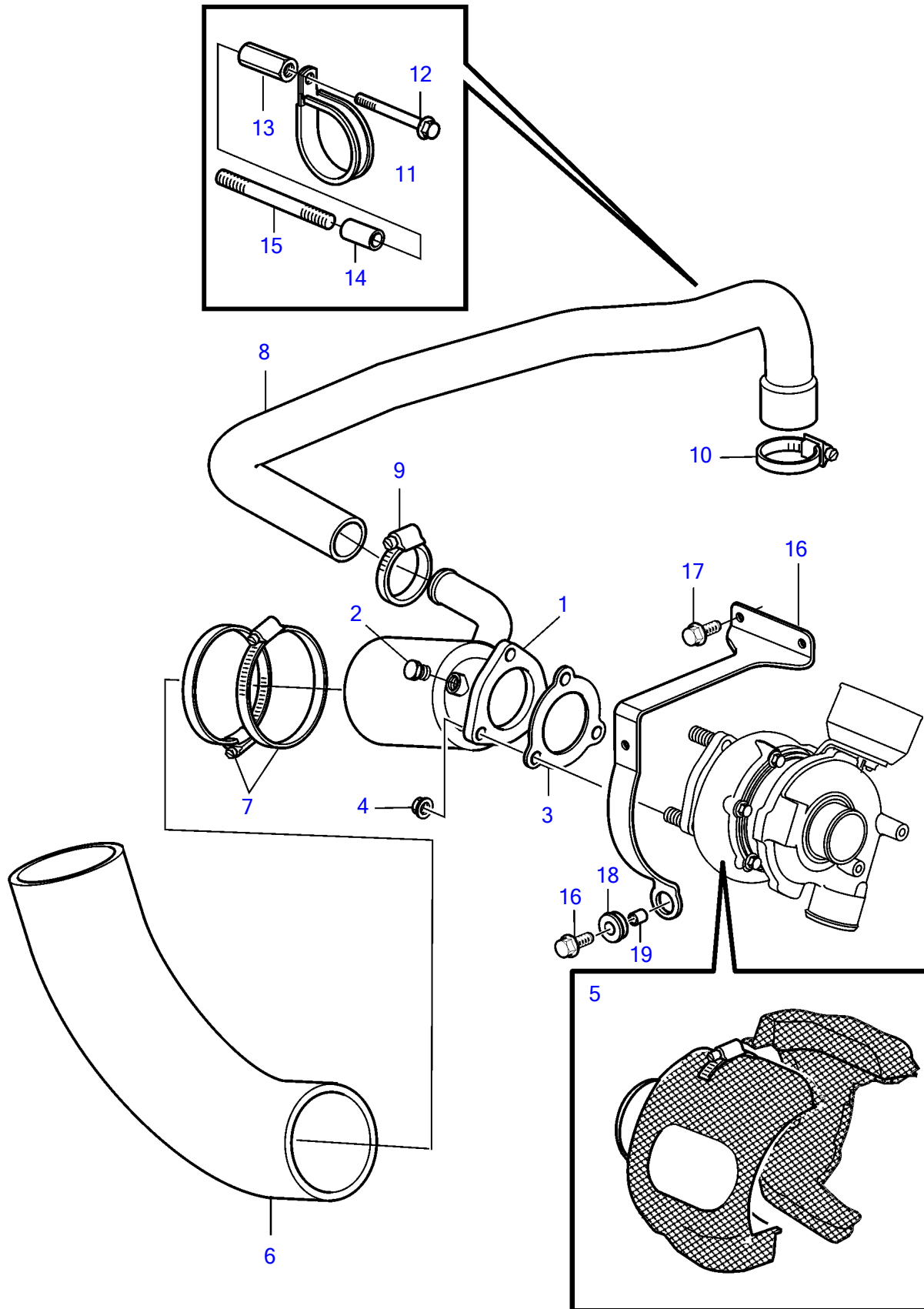


D3-110I-D, D3-110I-E, D3-110I-F, D3-140I-E, D3-140I-F, D3-150I-D, D3-150I-E, D3-150I-F, D3-170I-D, D3-170I-E, D3-170I-F, D3-200I-D, D3-200I-E, D3-200I-F, D3-220I-D, D3-220I-E, D3-220I-F



D3-110I-D, D3-110I-E, D3-110I-F, D3-140I-E, D3-140I-F, D3-150I-D, D3-150I-E, D3-150I-F, D3-170I-D, D3-170I-E, D3-170I-F, D3-200I-D, D3-200I-E, D3-200I-F, D3-220I-D, D3-220I-E, D3-220I-F

REF	PART NO.	QTY	DESCRIPTION	NOTES
1	21181763	1	Exhaust pipe	
2	981749	1	• Plug	
3	1275549	1	Gasket	
4	981152	3	Flange nut	
5	21233709	1	Heat shield	
6	1140667	1	Exhaust hose	
7	853012	4	Hose clamp	
8	21202798	1	Hose	Heat exchanger-exhaust riser.
9	994561	1	Hose clamp	
10	994562	1	Hose clamp	
11	969194	1	Clamp	
12	946440	1	Flange screw	
13	21264221	1	Hexagon nut	
14	977801	1	Spacer sleeve	
15	953060	2	Stud	
16	21441559	1	Bracket	
17	946440	3	Flange screw	M8x16mm
18	992404	1	Grommet	
19	40005089	1	Spacer	