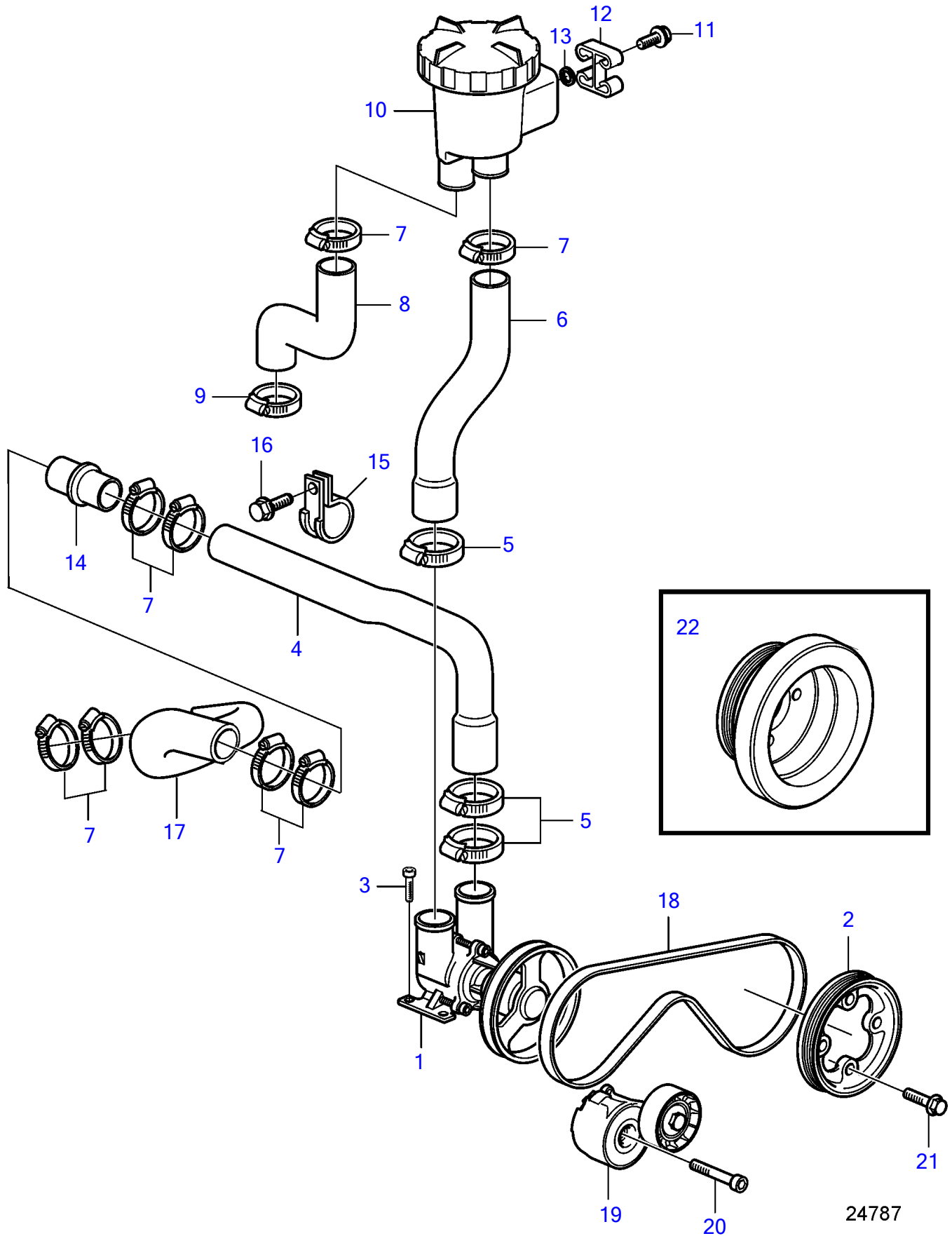


D3-140A-D, D3-140A-E, D3-140A-F, D3-170A-D, D3-170A-E, D3-170A-F, D3-200A-D, D3-200A-E, D3-200A-F, D3-220A-D, D3-220A-E, D3-220A-F



D3-140A-D, D3-140A-E, D3-140A-F, D3-170A-D, D3-170A-E, D3-170A-F, D3-200A-D, D3-200A-E, D3-200A-F, D3-220A-D, D3-220A-E, D3-220A-F

REF	PART NO.	QTY	DESCRIPTION	SEE SEC.	NOTES
1		1	Sea water pump	35781	
2	21110032	1	Pulley		110-170 HP
3	959223	4	Hex. socket screw		M8x30mm
4	21104901	1	Hose		
5	961670	3	Hose clamp		
6	21535682	1	Hose		Sea water pump-sea water filter.
7	994561	8	Hose clamp		
8	21162573	1	Hose		Intercooler-sea water filter.
9	994562	1	Hose clamp		
10		1	Sea water filter	35648	Only for Filter 860631
11	965180	4	Flange screw		M8x20mm
12	21369356	1	Profile		
13	976944	4	Washer		
14	861090	1	Tube		
15	967645	1	Clamp		
16	946544	1	Flange screw		M6x16mm
17	21104899	1	Hose		
18	21160912	1	V-ribbed belt		
19	21424647	1	Belt tensioner		SN-2003019004
	21826866	1	Belt tensioner		SN2003019005-
20	959245	1	Hex. socket screw		
21	975101	4	Flange screw		M10x40mm
22	21255747	1	Vibration damper		