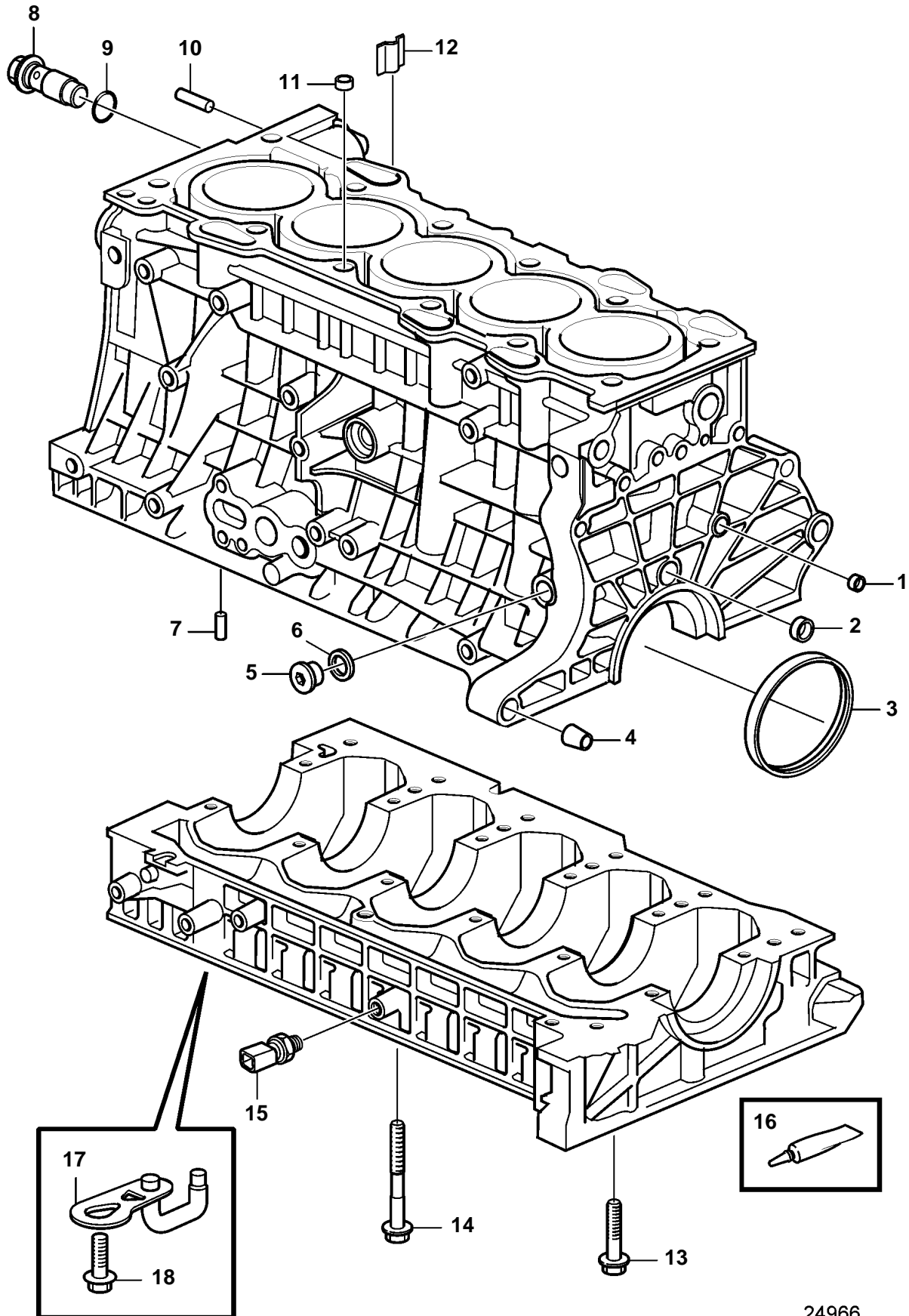


D3-110I-B, D3-110I-C, D3-130A-B, D3-130I-B, D3-130A-C, D3-130I-C, D3-160A-B, D3-160I-B, D3-160A-C, D3-160I-C, D3-190A-B, D3-190I-B, D3-190A-C, D3-190I-C



24966

D3-110I-B, D3-110I-C, D3-130A-B, D3-130I-B, D3-130A-C, D3-130I-C, D3-160A-B, D3-160I-B, D3-160A-C, D3-160I-C, D3-190A-B, D3-190I-B, D3-190A-C, D3-190I-C

| REF | PART NO. | QTY | DESCRIPTION | NOTES |
|-----|----------|-----|----------------------|---|
| 1 | 981713 | 1 | Plug | |
| 2 | 8687868 | 1 | Cap plug | (9687868) |
| 3 | 9458178 | 1 | Sealing ring | |
| 4 | 1256394 | 2 | Guide sleeve | |
| 5 | 30713237 | 1 | Plug | |
| 6 | 11996 | 1 | Gasket | |
| 7 | 1383730 | 5 | Locating pin | |
| 8 | 30677893 | 1 | Piston cooling valve | SN-350113 |
| | 30750943 | 1 | Piston cooling valve | SN350114- |
| 9 | 11998 | 1 | Gasket | |
| 10 | 950542 | 2 | Pin | |
| 11 | 1366129 | 2 | Guide sleeve | |
| 12 | 8631501 | 1 | Guide rail | |
| 13 | 973905 | 5 | Flange screw | |
| 14 | 8631499 | 12 | Flange screw | |
| 15 | 3545696 | 1 | Oil pressure sensor | |
| 16 | 1161059 | 1 | Sealing compound | SN-2003004733, SN2003004843, SN2003004845, SN2003004852, SN2003004853, SN2003004857 |
| | 1161771 | 1 | Sealing compound | SN2003004734- |
| 17 | 30750790 | 5 | Piston cooling jet | |
| 18 | 975880 | 5 | Flange screw | |