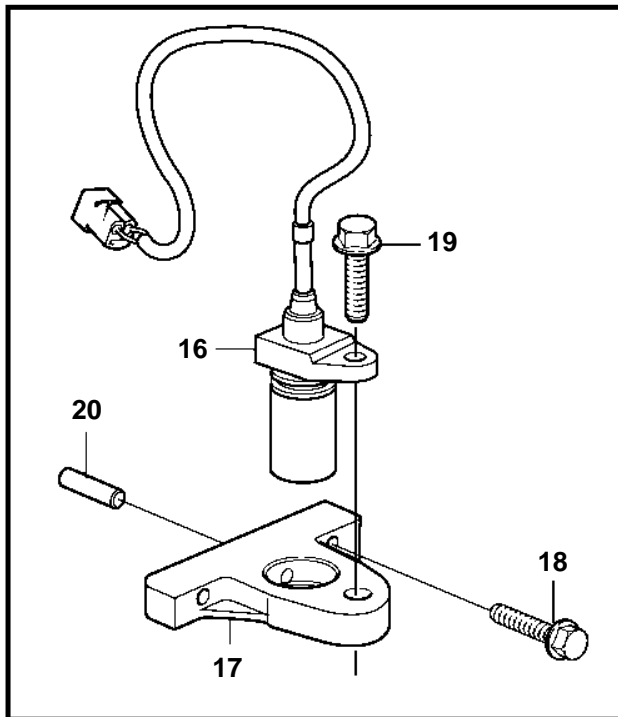
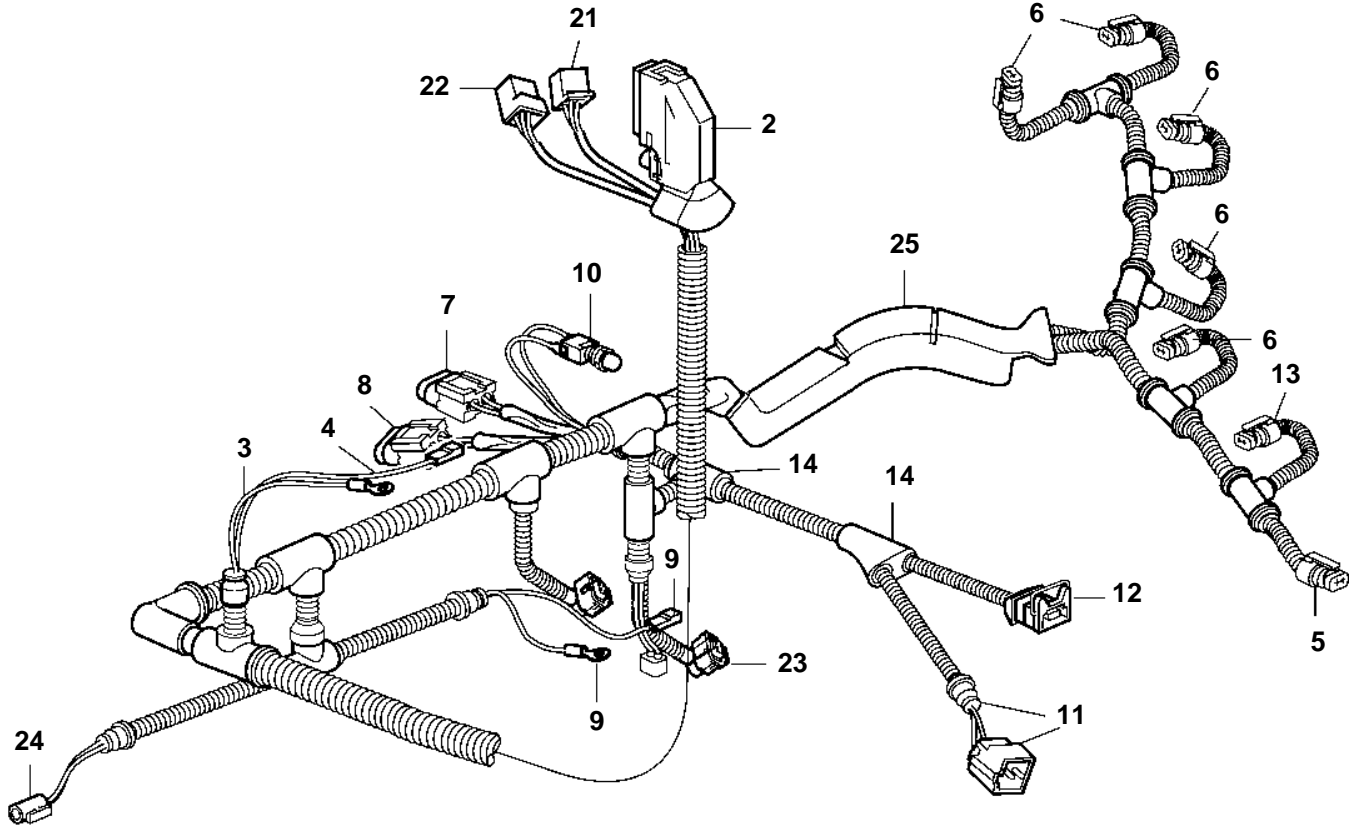
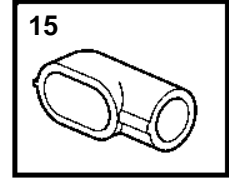


D3-110I-A, D3-130A-A, D3-130I-A, D3-160A-A, D3-160I-A

1



D3-110I-A, D3-130A-A, D3-130I-A, D3-160A-A, D3-160I-A

REF	PART NO.	QTY	DESCRIPTION	NOTES
1	881978	1	Wiring harness	
2	9187012	1	· Clip	
3	970798	1	· Cable terminal, alternator	
4	949597	1	· Housing, alternator	
	973121	1	· Cable terminal, alternator	
5	888693	1	· Adapter, fuel pump	
6	888690	5	· Adapter, fuel injector	
7		1	· Fuse holder	
	874220	1	· Cable terminal	
		1	· Cable seal	
	873854	1	· Sealing sleeve	
	978999	1	· Fuse	
8		1	· Fuse holder	
	874220	1	· Cable terminal	
		1	· Cable seal	
	873854	1	· Sealing sleeve	
	978999	1	· Fuse	
9	881484	1	· Cable terminal, starter motor	
	970798	1	· Cable terminal, starter motor	
10	873959	1	· Breaker, emergency stop	
	828586	1	· Nut, emergency stop	
11	9168792	1	· Housing, rpm	
	11039397	1	· End sleeve, rpm	
12	976256	1	· Housing	
	8142100	1	· Adapter	
13	8622455	1	· Receptacle housing	For Camshaft RPM
	874652	1	· Adapter	
14		1	· Coupling	
15	888697	1	· Adapter	
16	1275599	1	Sensor	
17	1275789	1	Bracket	
18	975880	2	Flange screw	
19	946544	1	Flange screw	
20	950562	1	Pin	
21	1212905	1	Housing	Included in Cable Harness 881978
22	948856	1	Housing	
23	874529	1	Adapter, charge air pressure/temp	
	9456341	1	Receptacle housing, charge air pressure/temp	Included in Cable Harness 881978
24	1307035	1	Housing, oil pressure	
		1	Cable terminal, oil pressure	
25	9452506	1	Sleeve	