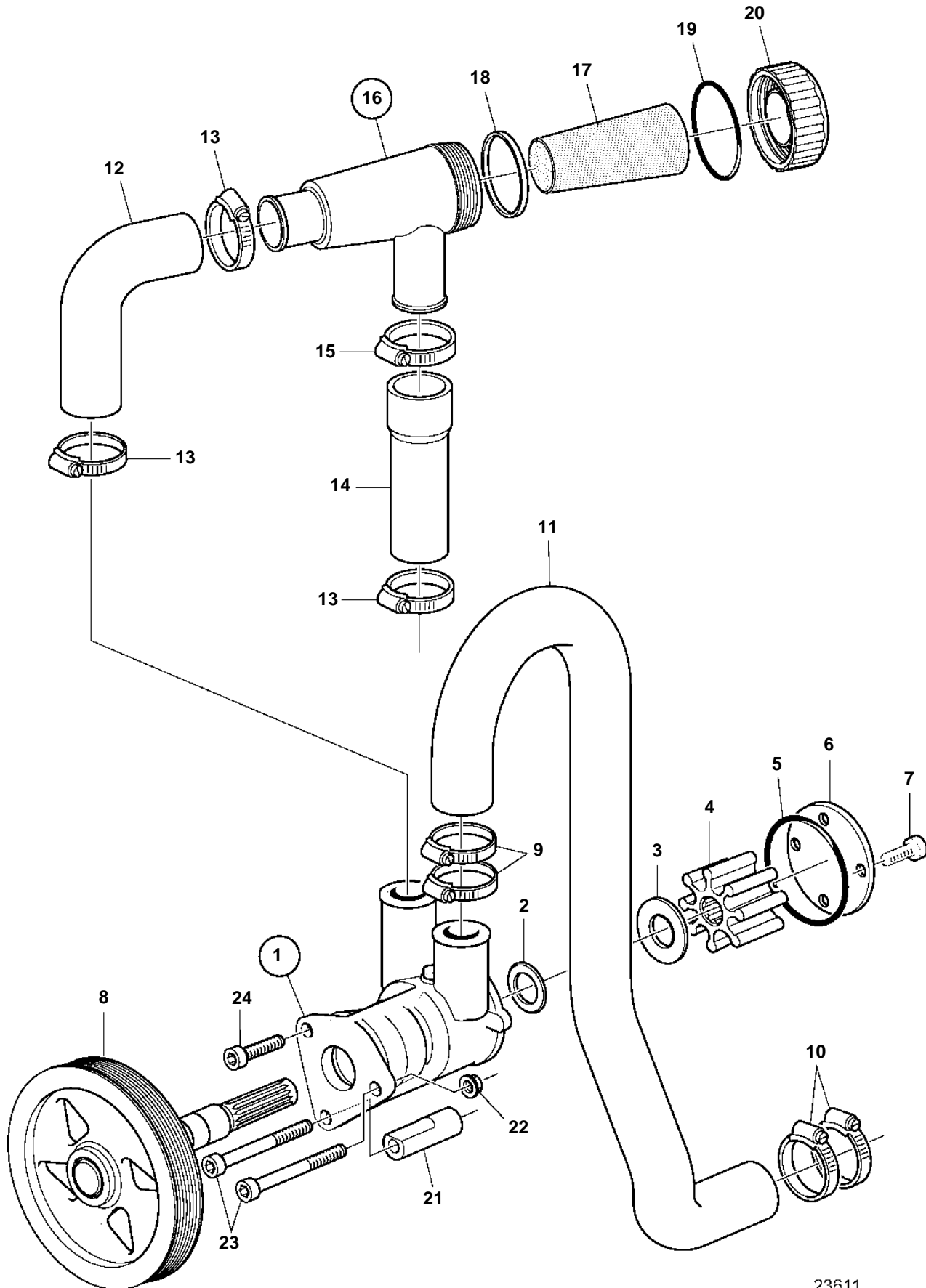


D3-130A-B



23611

Upd: 2009-12-14

23611

7744550 - 26 - 9400

## D3-130A-B

REF	PART NO.	QTY	DESCRIPTION	SEE SEC.	NOTES
1	21141637	1	Sea water pump		(3884694)
2	3584349	1	· Sealing ring		
3	827247	1	· Sealing ring		
4	3593660	1	· Impeller kit	7263	
5	3583809	1	· O-ring		
6	3584353	1	· Cardboard tube		
7	21346724	4	· Screw		
8		1	· Pulley		
9	993963	2	Hose clamp		
10	961670	2	Hose clamp		
11	3584356	1	Hose, heat exchanger		
12	3817382	1	Hose		
13	993964	3	Hose clamp		
14	3817383	1	Hose		
15	943479	1	Hose clamp		
16	3812612	1	Sea water filter		
17	3593606	1	· Filter insert		
18	1547254	1	· Sealing ring		Earlier production
19	925093	1	· O-ring		
20		1	· Cover		Superseded by 3812612
21	3884647	1	Spacer sleeve		
22	945408	1	Flange nut		
23	959227	2	Hex. socket screw		M8x50mm
24	959222	1	Hex. socket screw		