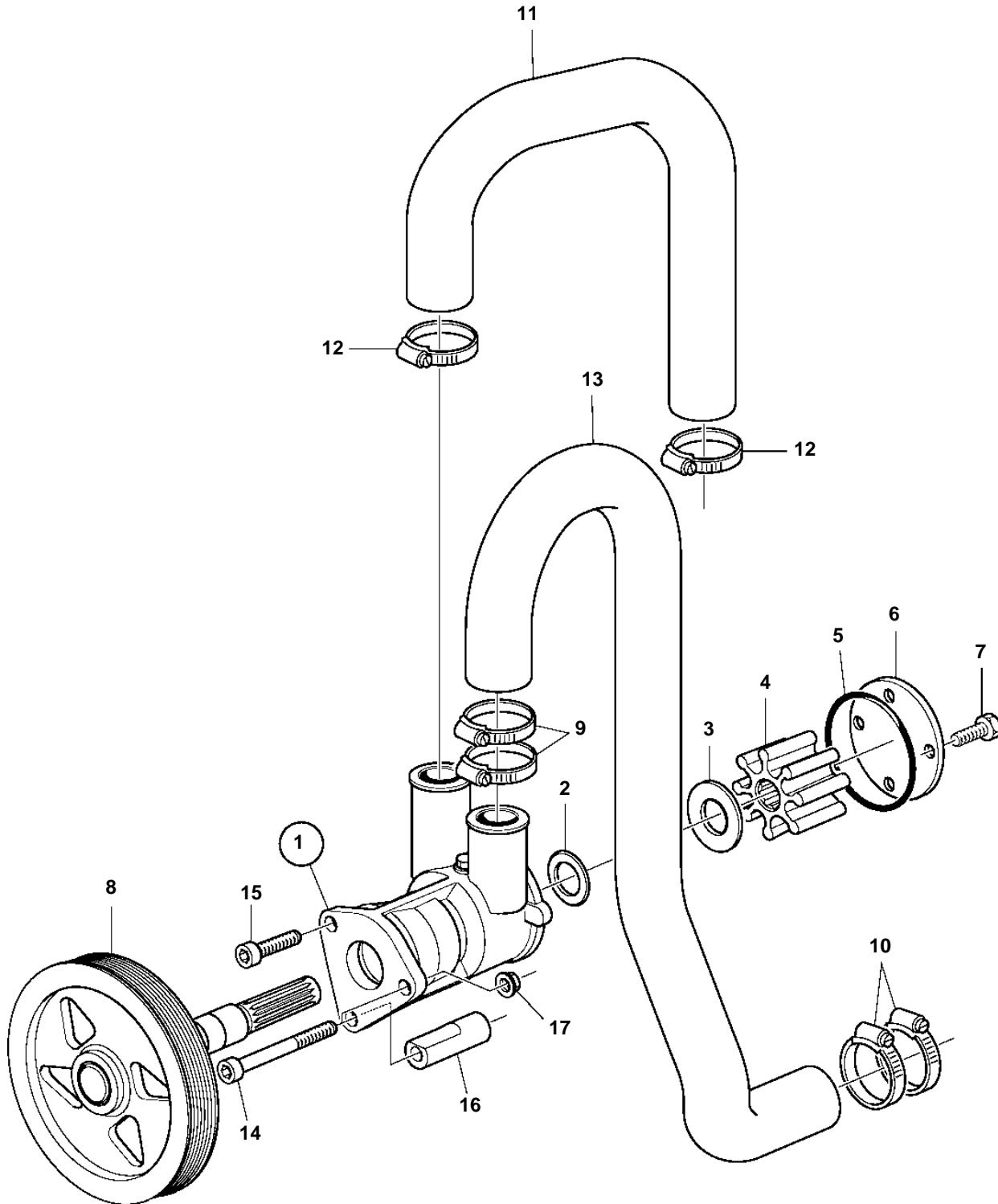


D3-110I-B, D3-130I-B



D3-110I-B, D3-130I-B

REF	PART NO.	QTY	DESCRIPTION	SEE SEC.	NOTES
1	21141637	1	Sea water pump		(3884694)
2	3584349	1	· Sealing ring		
3	827247	1	· Sealing ring		
4	3593660	1	· Impeller kit	7263	
5	3583809	1	· O-ring		
6	3584353	1	· Cardboard tube		
7	21346724	4	· Screw		
8		1	· Pulley		
9	993963	2	Hose clamp		
10	961670	2	Hose clamp		
11	3584355	1	Hose, heat exchanger		
12	993964	2	Hose clamp		
13	3584356	1	Hose		
14	959227	2	Hex. socket screw		M8x50mm
15	959222	1	Hex. socket screw		M8x25mm
16	3884647	1	Spacer sleeve		
17	945408	1	Flange nut		