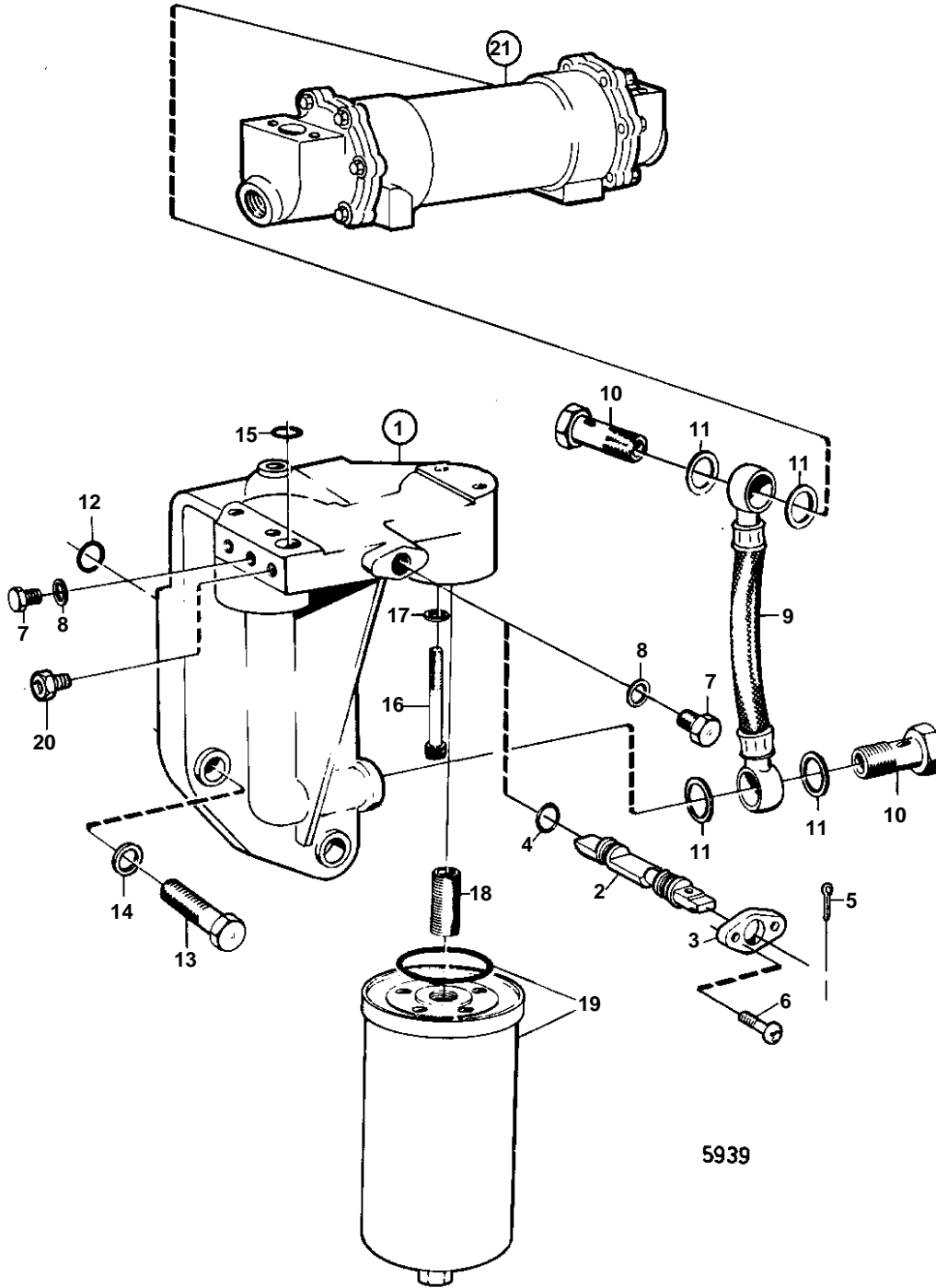


MD70C,TMD70C



MD70C,TMD70C

REF	PART NO.	QTY	DESCRIPTION	NOTES
1	820516	1	Bracket	
	842072	1	Shift valve	CLASS
2	842074	1	· Valve peg	
3	823513	1	· Flange	
4	925057	2	· Rubber ring	
5	907861	1	· Cotter pin	
6	950022	2	· Screw	
7	914390	6	Plug	
8	957177	6	Gasket	
9	820537	1	Hose	
10	804478	2	Hollow screw	
11	957185	4	Gasket	IK
12	925059	2	O-ring	IK
13	940162	3	Screw	
14	942336	3	Spring washer	
15	955987	1	O-ring	SEE GROUP 2B
16	956571	3	Screw	L = 32 MM, SEE GROUP 2B
	956572	1	Screw	L = 38 MM, SEE GROUP 2B
17	11992	4	Gasket	IK SEE GROUP 2B
18	423067	2	Nipple	
19	4785974	2	Oil filter	
20	180002	1	Fitting	SEE GROUP 3. CLASSIFIED PROPULSION ENGINE.
21		1	OIL COOLER	SEE GROUP 2B