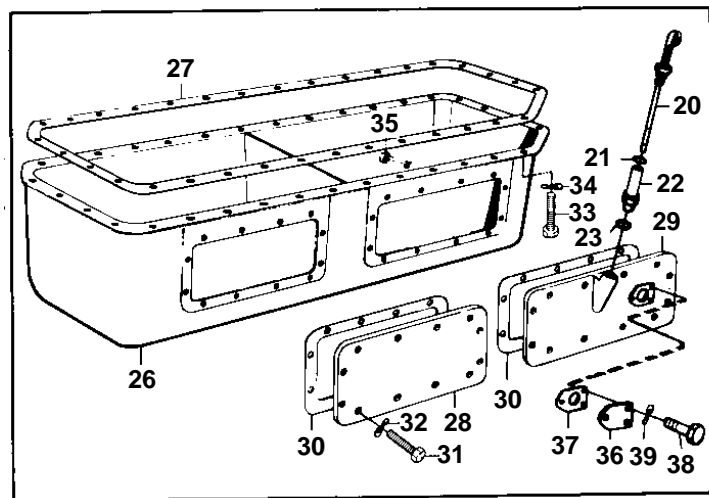
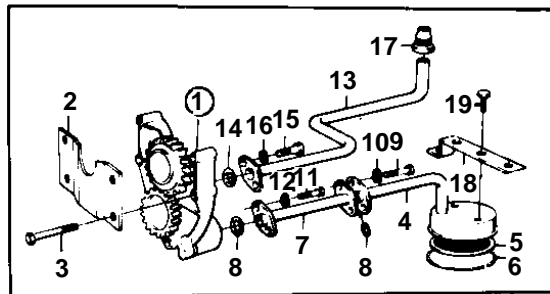
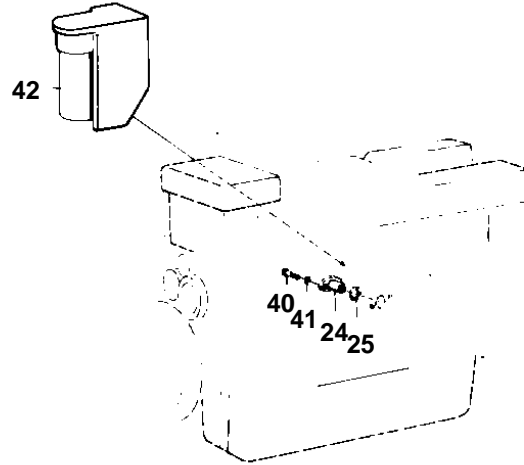


MD70C,TMD70C



5938

MD70C,TMD70C

REF	PART NO.	QTY	DESCRIPTION	SEE SEC.
1	466387	1	Oil pump	
				02A-1900
2	421404	1	Baffle	
3	955538	4	Screw	
4	421051	1	Oil pipe	
5	414621	1	Strainer	
6	118125	1	Lock ring	
7	896693	1	Tube	
8	925060	2	O-ring	IK
9	940135	2	Screw	
10	941907	2	Spring washer	
11	955530	2	Screw	
12	941907	2	Spring washer	
13	421049	1	Oil pipe	
14	949656	1	O-ring	
15	955530	2	Screw	
16	941907	2	Spring washer	
17	466906	1	Fitting	
18	896773	1	Bracket	
19	942402	4	Flange screw	
20	823016	1	Oil dipstick	
21	955982	1	O-ring	
22	843844	1	Tube	
23	957185	1	Gasket	
24	421123	1	Reducing valve	
25	949974	1	O-ring	
26	843748	1	Oil pan	
27	424601	1	Gasket	IK
28	800877	1	Inspection lid	
29	843838	1	Hatch	
30	823185	2	Gasket	IK
31	956569	24	Screw	
32	11992	24	Gasket	IK
33	956570	36	Screw	
34	941907	36	Spring washer	
35	951906	1	Plug	
36	842927	1	Flange	
37	842928	1	Gasket	
38	940135	3	Screw	
39	941907	3	Spring washer	
40	940100	2	Screw	
41	941906	2	Spring washer	
		1	OIL FILTER AND INSTALLATION COMPONENTS	02A-2200