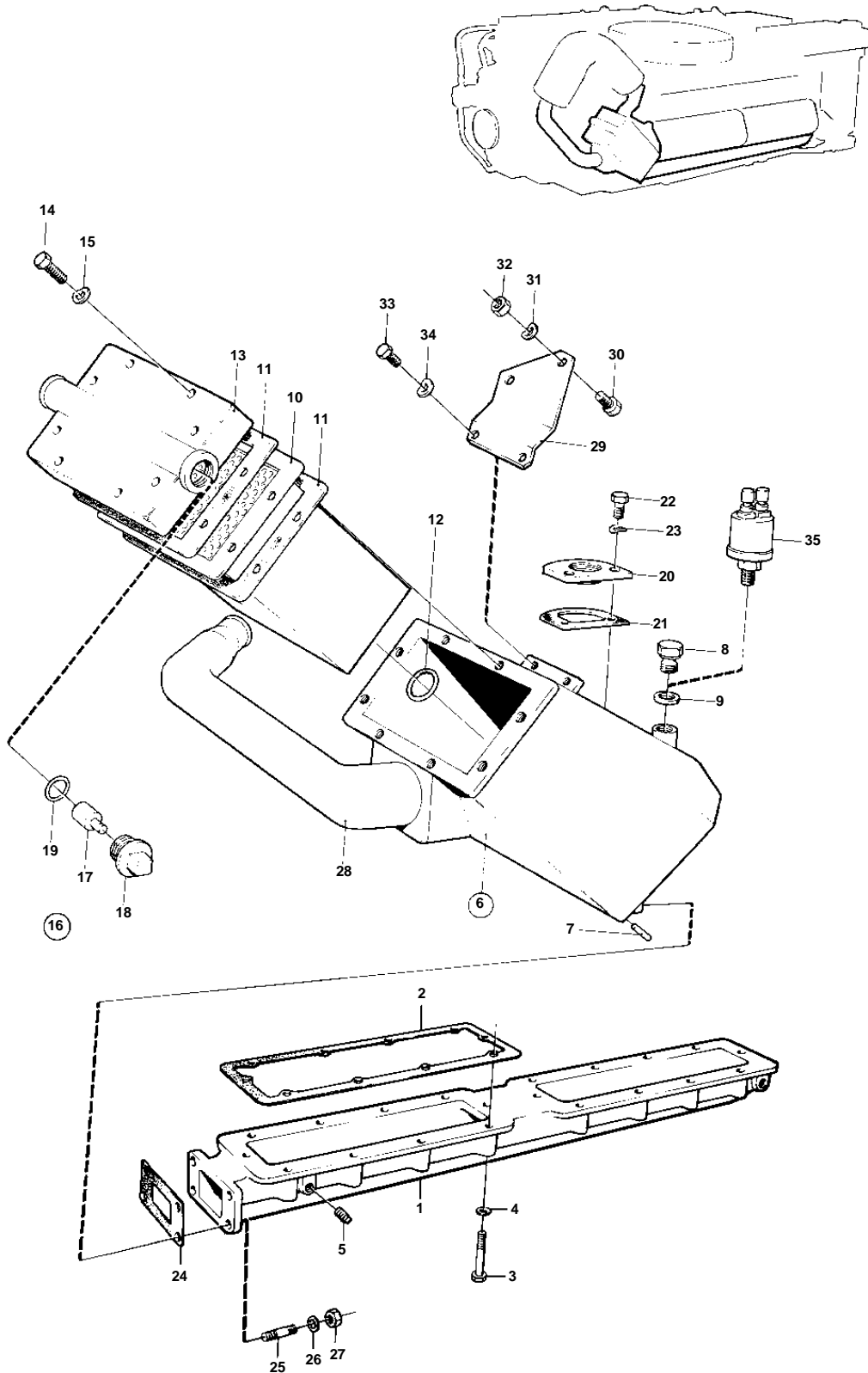


THAMD70C,AQD70CL



# INDUCTION MANIFOLD AND AFTER COOLER WITH INSTALLATION COMPONENTS

# 02B

THAMD70C,AQD70CL

REF	PART NO.	QTY	DESCRIPTION	SEE SEC.	NOTES
1	836349	1	Inlet pipe		
2	421071	2	Gasket	IK	
3	940161	17	Screw		
4	941907	17	Spring washer		
5	191026	1	Plug		
6	837849	1	Housing		
7	951941	1	• Pin		
8	960632	1	• Plug		
9	957181	1	• Gasket		
10	824140	1	Insert		
11	824301	2	Gasket		
12	925064	1	O-ring		
13	837874	1	Cover		
14	955527	8	Screw		
15	941907	8	Spring washer		
16	823660	1	Zinc electrode		
17	823661	1	• Zinc electrode		
18	823662	1	• Plug		
19	836169	1	Gasket		
20	837862	1	Flange		SEE GROUP 3
21	837863	1	Gasket		
22	940094	2	Screw		
23	941906	2	Spring washer		
24	836765	1	Gasket		
25	953237	4	Stud		
26	941907	4	Spring washer		
27	955826	4	Nut		
28	837518	1	Tube	02B-1700	
29	837865	1	Anchorage		
30	940159	1	Screw		L = 32 MM
	940186	1	Screw		L = 38 MM
31	941907	2	Spring washer	02B-1700	
32	955826	2	Nut	02B-1700	
33	940135	2	Screw		
34	941907	2	Spring washer		
35		1	AIR PRESSURE SENSOR		SEE GROUP 3.