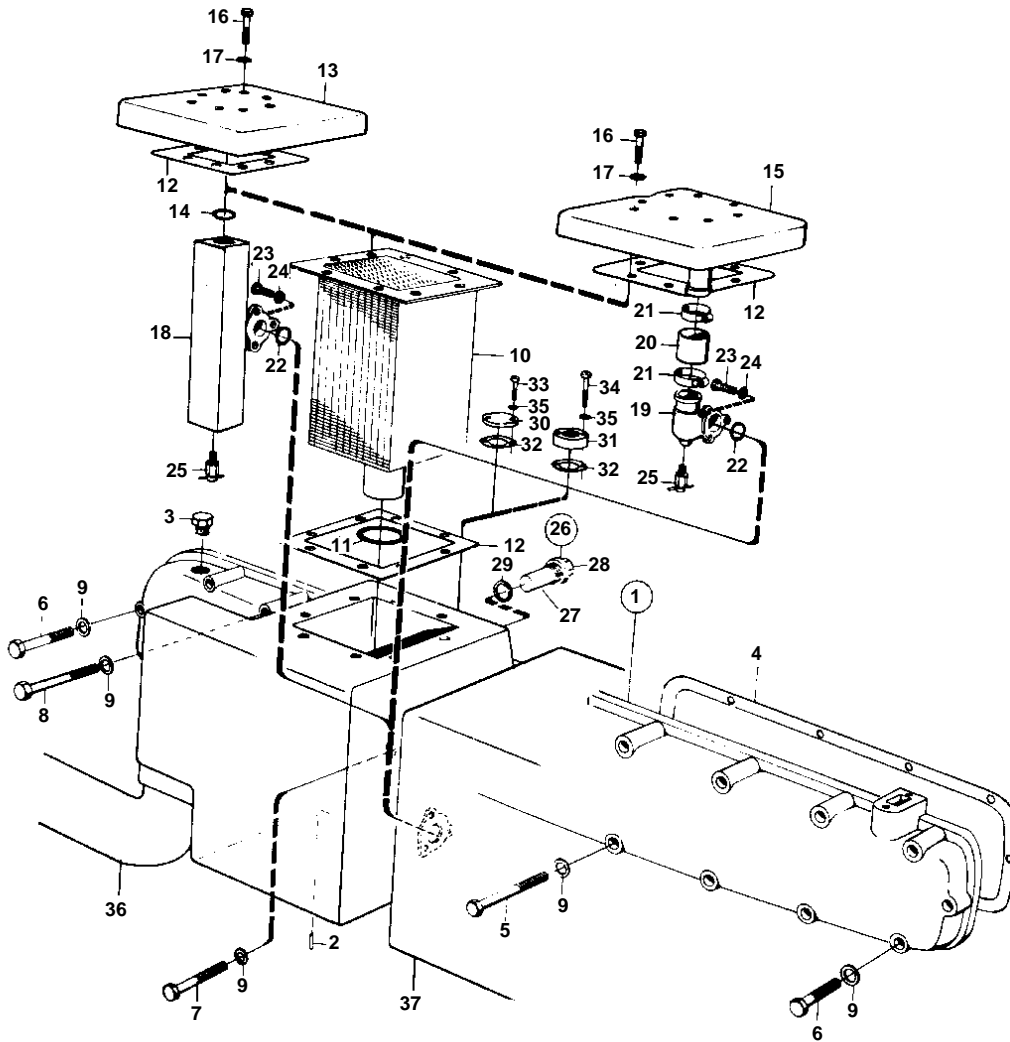


TAMD70C,AQD70C



3093

INDUCTION MANIFOLD AND AFTER COOLER WITH INSTALLATION COMPONENTS

02B

TAMD70C,AQD70C

| REF | PART NO. | QTY | DESCRIPTION | SEE SEC. | NOTES |
|-----|----------|-----|---|----------|-------------------------|
| 1 | 837250 | 1 | Inlet pipe, INLET PIPE AND AFTER COOLER | | |
| 2 | 951943 | 1 | · Spring pin | | MO-46846/XXXX |
| 3 | 191026 | 1 | · Plug | | |
| 4 | 421071 | 2 | Gasket | IK | |
| 5 | 955530 | 2 | Screw | | L = 83 MM |
| 6 | 940136 | 12 | Screw | | L = 64 MM |
| 7 | 955525 | 2 | Screw | | L = 25 MM MO-46846/XXXX |
| | 955525 | 1 | Screw | | L = 25 MM MO46847/XXXX- |
| 8 | 955529 | 2 | Screw | | L = 76 MM |
| 9 | 941907 | 18 | Spring washer | | |
| 10 | 824140 | 1 | Insert | | |
| 11 | 925064 | 1 | O-ring | | |
| 12 | 824301 | 2 | Gasket | | |
| 13 | | 1 | COVER | | MO-XXXX/3659 |
| 14 | 430272 | 1 | Sealing ring | | MO-XXXX/3659 |
| 15 | 837027 | 1 | Cover | | MOXXXX/3660- |
| 16 | 955527 | 8 | Screw | | |
| 17 | 941907 | 8 | Spring washer | | |
| 18 | | 1 | CONNECTION | | MO-XXXX/3659 |
| 19 | 837025 | 1 | Connector | | MOXXXX/3660- |
| 20 | 858471 | X | Hose | | L = 110 MM MOXXXX/3660- |
| 21 | 943477 | 2 | Hose clamp | | MOXXXX/3660- |
| 22 | 925091 | 1 | O-ring | | |
| 23 | 955525 | 3 | Screw | | |
| 24 | 941907 | 3 | Spring washer | | |
| 25 | 82745 | 1 | Tap | | |
| 26 | 823661 | 1 | Zinc electrode | | |
| 27 | 823662 | 1 | · Plug | | |
| 28 | 823661 | 1 | · Zinc electrode | | |
| 29 | 836169 | 1 | Gasket | | |
| 30 | 837334 | 1 | Flange | | MO46847/XXX-XXXX/4766 |
| 31 | 837308 | 1 | Flange | | MOXXXX/4767- SEE GROUP3 |
| 32 | 837309 | 1 | Gasket | | MO46847/XXXX- |
| 33 | 950046 | 2 | Screw | | MO46487/XXX-XXXX/4766 |
| 34 | 940100 | 2 | Screw | | MOXXXX/4767- |
| 35 | 941906 | 2 | Spring washer | | MO46847/XXXX- |
| 36 | | 1 | PIPE ELBOW | 02B-1500 | |
| 37 | | 1 | HEAT EXCHANGER | 02B-0450 | |