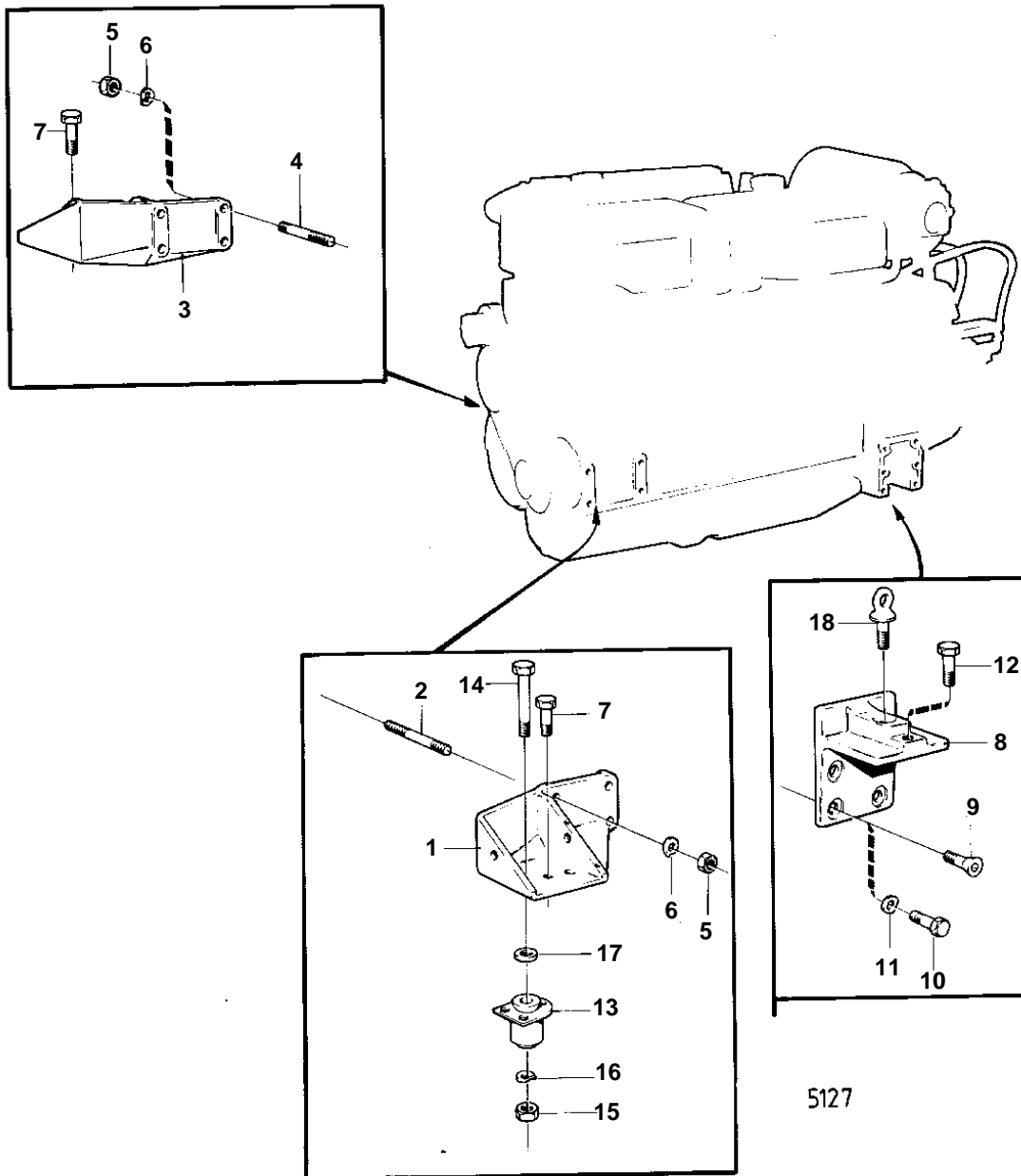


MD70B,TMD70B



MD70B,TMD70B

REF	PART NO.	QTY	DESCRIPTION	NOTES
1	823135	1	Bracket	
2	953330	2	Stud	L = 90 MM
	953326	1	Stud	L = 70 MM
	953321	1	Stud	L = 55 MM
3	820602	1	Bracket	S.B
4	953326	2	Stud	L = 70 MM
	953331	1	Stud	L = 95 MM
	953329	1	Stud	L = 85 MM
5	940176	8	Nut	
6	940280	8	Spring washer	
7	955561	2	Screw	
8	821685	2	Engine bracket	
9	941778	8	Screw	MO-XXXX15718
10	960737	8	Screw	MOXXXX/15719-
11	940280	8	Spring washer	MOXXXX/15719-
12	955591	2	Screw	
13	820646	8	Rubber cushion	
14	192131	8	Screw	
15	955829	8	Nut	
16	941912	8	Spring washer	
17	830652	8	Washer	
18		2	LIFTING EYE	