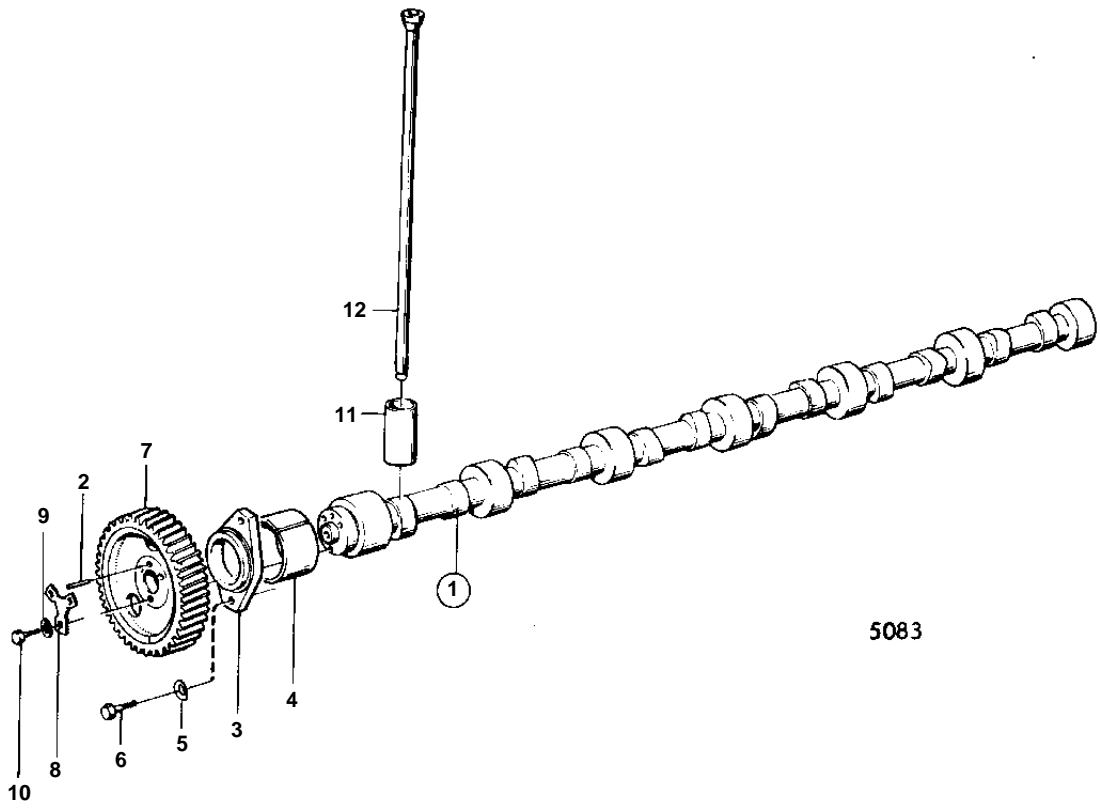


TAMD70B,AQD70B



5083

TAMD70B,AQD70B

| REF | PART NO. | QTY | DESCRIPTION   | SEE SEC. | NOTES                  |
|-----|----------|-----|---------------|----------|------------------------|
| 1   | 421446   | 1   | Camshaft      |          |                        |
| 2   | 950588   | 1   | • Pin         |          |                        |
| 3   | 469324   | 1   | Flange        |          |                        |
| 4   |          | 7   | BUSHING       |          | INCL.IN CYLINDERBLOCK. |
| 5   | 942336   | 2   | Spring washer |          |                        |
| 6   | 940115   | 2   | Screw         |          |                        |
| 7   | 421079   | 1   | Gear          | 02A-1100 |                        |
| 8   | 467052   | 1   | Lock washer   | 02A-1100 |                        |
| 9   | 467055   | 3   | Washer        | 02A-1100 |                        |
| 10  | 940128   | 3   | Screw         | 02A-1100 |                        |
| 11  | 421067   | 12  | Tappet        |          |                        |
| 12  | 421385   | 12  | Push rod      |          |                        |