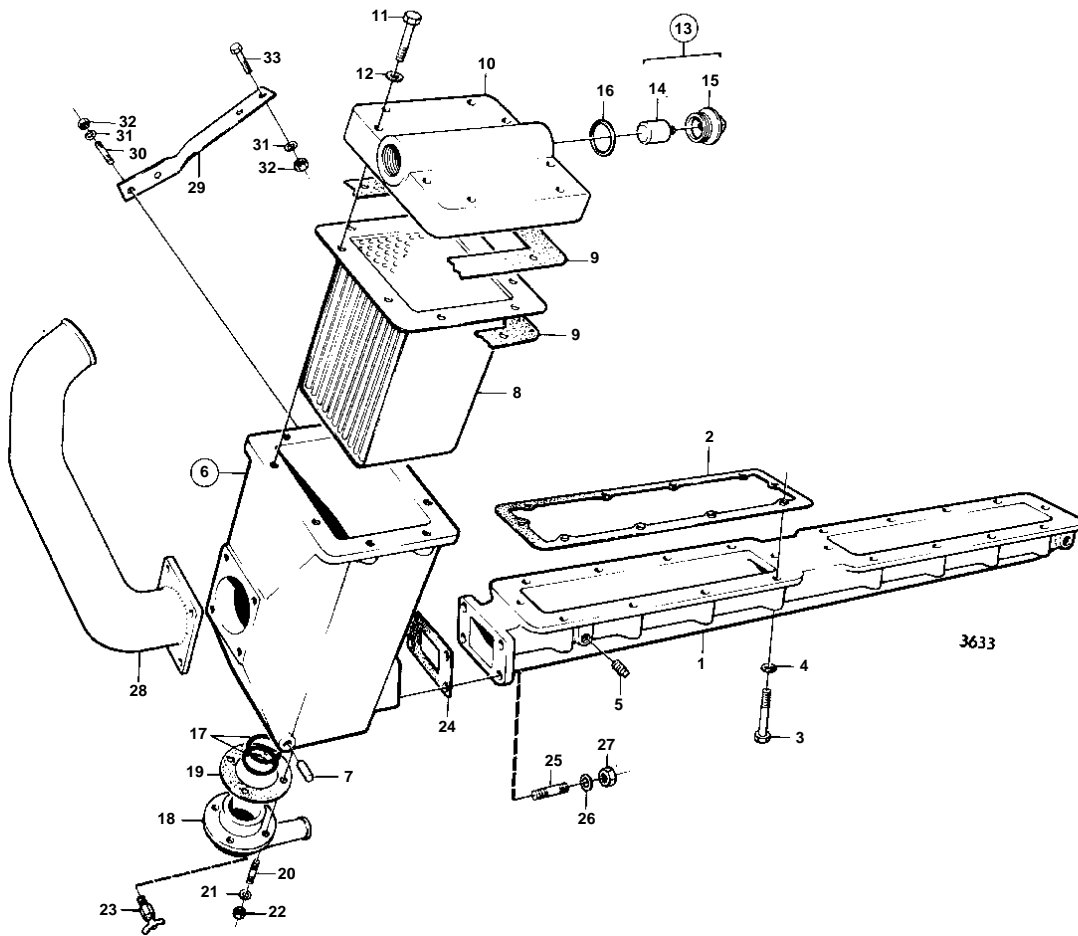
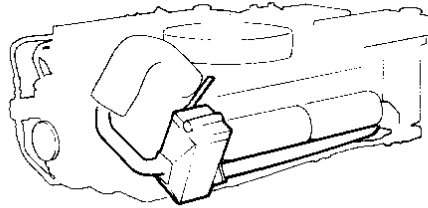


THAMD70B,AQD70BL



INDUCTION MANIFOLD AND AFTER COOLER WITH INSTALLATION COMPONENTS

02B

THAMD70B,AQD70BL

| REF | PART NO. | QTY | DESCRIPTION | SEE SEC. | NOTES |
|-----|----------|-----|------------------|----------|-----------|
| 1 | 836349 | 1 | Inlet pipe | | |
| 2 | 421071 | 2 | Gasket | IK | |
| 3 | 940161 | 17 | Screw | | |
| 4 | 941907 | 17 | Spring washer | | |
| 5 | 191026 | 1 | Plug | | |
| 6 | 836110 | 1 | Housing | | |
| 7 | 951941 | 1 | · Pin | | |
| 8 | 824140 | 1 | Insert | | |
| 9 | 824301 | 2 | Gasket | | |
| 10 | 836761 | 1 | Cover | | |
| 11 | 955527 | 8 | Screw | | |
| 12 | 941907 | 8 | Spring washer | | |
| 13 | 823660 | 1 | Zinc electrode | | |
| 14 | 823661 | 1 | · Zinc electrode | | |
| 15 | 823662 | 1 | · Plug | | |
| 16 | 836169 | 1 | Gasket | | |
| 17 | 925064 | 2 | O-ring | | |
| 18 | 836762 | 1 | Cover | | |
| 19 | 836764 | 1 | Gasket | | |
| 20 | 953462 | 4 | Stud | | |
| 21 | 941907 | 4 | Spring washer | | |
| 22 | 955826 | 4 | Nut | | |
| 23 | 82745 | 1 | Tap | | |
| 24 | 836765 | 1 | Gasket | | |
| 25 | 953237 | 4 | Stud | | |
| 26 | 941907 | 4 | Spring washer | | |
| 27 | 955826 | 4 | Nut | | |
| 28 | 836766 | 1 | Tube | 02B-1700 | |
| 29 | 836763 | 1 | Bracket | | |
| 30 | 953460 | 2 | Stud | | |
| 31 | 941907 | 6 | Spring washer | 02B-1700 | |
| 32 | 955826 | 4 | Nut | 02B-1700 | |
| 33 | 940159 | 1 | Screw | | L = 32 MM |
| | 940186 | 1 | Screw | | L = 38 MM |